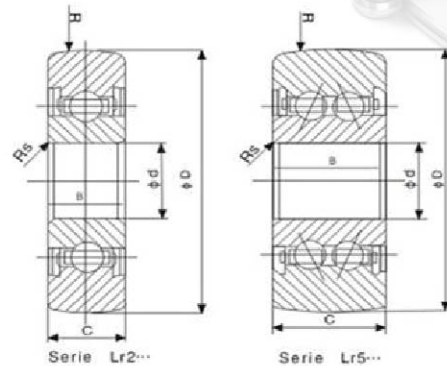


## Track rollers with cylindrical or crowned outer ring – type LR d 4~30 mm



Part No.	Dimensions(mm)						Load		Fatigue limit load	Speed limit		Weight(g)
	D	d	B	C	R	Rs	Cw(N)	Cow(N)	Puw(N)	Seals	Shield	
LR604 NPP	13	4	4	4		0.2	860	350	7	24000	35000	10
LR604 NPPU	13	4	4	4	500	0.2	860	350	7	24000	35000	10
LR604 KDD	13	4	4	4		0.2	860	350	7	24000	35000	10
LR604 KDDU	13	4	4	4	500	0.2	860	350	7	24000	35000	10
LR605 NPP	16	5	5	5		0.2	1190	490	10	23000	33000	10
LR605 NPPU	16	5	5	5	500	0.2	1190	490	10	23000	33000	10
LR605 KDD	16	5	5	5		0.2	1190	490	10	23000	33000	10
LR605 KDDU	16	5	5	5	500	0.2	1190	490	10	23000	33000	10
LR606 NPP	19	6	6	6		0.3	1740	700	40	22000	31000	10
LR606 NPPU	19	6	6	6	500	0.3	1740	700	40	22000	31000	10
LR606 KDD	19	6	6	6		0.3	1740	700	40	22000	31000	10
LR606 KDDU	19	6	6	6	500	0.3	1740	700	40	22000	31000	10
LR607 NPP	22	7	6	6		0.3	2130	870	46	20000	29000	10
LR607 NPPU	22	7	6	6	500	0.3	2130	870	46	20000	29000	10
LR607 KDD	22	7	6	6		0.3	2130	870	46	20000	29000	10
LR607 KDDU	22	7	6	6	500	0.3	2130	870	46	20000	29000	10
LR608 NPP	24	8	7	7		0.3	2750	1250	58	19000	28000	20
LR608 NPPU	24	8	7	7	500	0.3	2750	1250	58	19000	28000	20
LR608 KDD	24	8	7	7		0.3	2750	1250	58	19000	28000	20
LR608 KDDU	24	8	7	7	500	0.3	2750	1250	58	19000	28000	20
LR6000 NPP	28	10	8	8		0.3	3650	1700	52	17000	24000	20
LR6000 NPPU	28	10	8	8	500	0.3	3650	1700	52	17000	24000	20
LR6000KDD	28	10	8	8		0.3	3650	1700	52	17000	24000	20
LR6000KDDU	28	10	8	8	500	0.3	3650	1700	52	17000	24000	20
LR6001NPP	30	12	8	8		0.3	4300	2100	77	16000	22000	30
LR6001NPPU	30	12	8	8	500	0.3	4300	2100	77	16000	22000	30