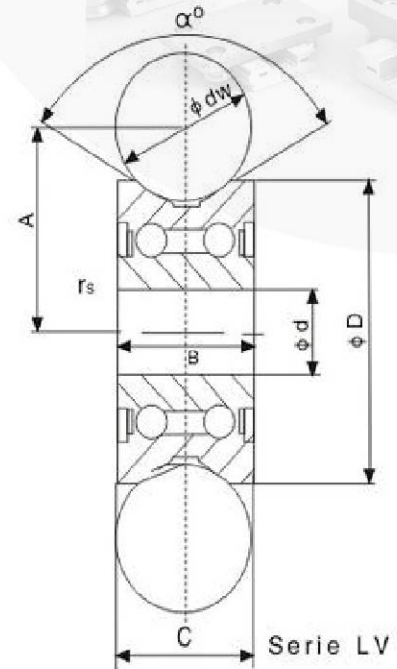


Track rollers with “V” groove profile Bearings d 7~20mm



Part No.	Dimensions (mm)								Loading		Weight
	dw	d	D	b	C	A	α	rs	Cw (KN)	Cow(KN)	\approx (g)
LV 20/7 ZZ	10	7	22	11	11	14.5	120	0.3	3.78	2.05	17
LV 20/8 ZZ	10	8	30	14	14	18.1	120	0.3	5.13	2.67	49
LV 201 ZZ	20	12	41	20	20	28	120	0.3	8.47	5.37	130
LV 201-14 2RS	14	12	39.9	20.1	18	24	100	0.5	8.9	5	107
LV 202-38 ZZ	10	15	38	17	17	22.25	120	0.5	8.47	5.37	87
LV 202-40 ZZ	10	15	40	18	18	22	120	0.5	8.47	5.37	110
LV 202-41 ZZ	20	15	41	20	20	28	120	0.5	8.47	5.37	116
LV 203 ZZ	20	17	58	25	25	35	120	0.5	14.66	9.1	325
LV 204-57 ZZ	30	20	57	22	22	41	120	0.6	14.66	9.1	290
LV 204-58 ZZ	30	20	58	25	25	41	120	0.6	14.66	9.1	310