

With excellent performance, zirconia ceramic ball bearings have electrical and magnetism resistance, wear and corrosion resistance, lubrication and maintenance free. It could work in awful environment while the ordinary bearings are not qualified. And also its cost is much lower than that of silicon nitride ceramic ball bearings. They are widely used in the areas of aviation, aerospace, marine, petroleum, chemical, automotive, electronics, metallurgy, electric power, textile, medical equipment and other applications.

Rings:

The inner and outer rings are made by zirconia ceramic;

Balls:

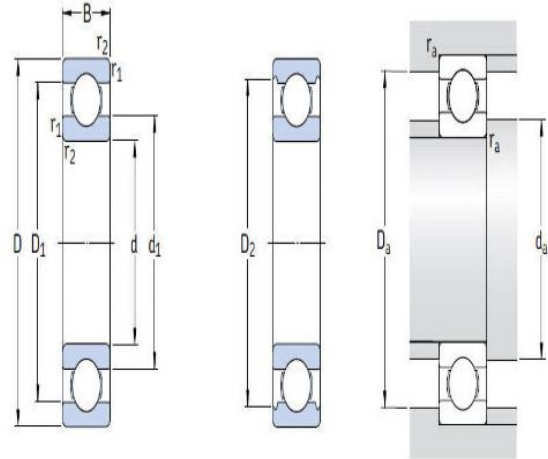
The balls are made of zirconia ceramic;

Cages:

The retainers are made by PTFE/PEEK;

Seals: The seals are made by PTFE/PEEK;

Ceraic Ball Bearing: Deep Groove Ball Bearing



Motion(shanghai)Industrial Development Co.,Ltd

Part No.	Dimensions(mm)				Mounting Dimensions (mm)				Weight	
					da	da	Da	ra	(kg)(ref.)	
	d	D	B	r(min)	min	max	max	max	ZrO2	Si3N4
684CE	4	9	2.5	0.1	4.8	/	8.2	0.1	0.0005	0.0003
694CE	4	11	4	0.15	5.2	/	9.8	0.15	0.0013	0.0007
604CE	4	12	4	0.2	5.6	/	10.4	0.2	0.0017	0.0009
624CE	4	13	5	0.2	5.6	/	11.4	0.2	0.0023	0.0013
634CE	4	16	5	0.3	6	/	14	0.3	0.004	0.0022
685CE	5	11	3	0.15	6.2	/	9.8	0.15	0.0009	0.0005
695CE	5	13	4	0.2	6.6	/	11.4	0.2	0.0019	0.001
605CE	5	14	5	0.2	6.6	/	12.4	0.2	0.0027	0.0015
625CE	5	16	5	0.3	7	/	14	0.3	0.0038	0.0021
635CE	5	19	6	0.3	7	/	17	0.3	0.0066	0.0036
686CE	6	13	3.5	0.15	7.2	/	11.8	0.15	0.0015	0.0008
696CE	6	15	5	0.2	7.6	/	13.4	0.2	0.003	0.0016
606CE	6	17	6	0.3	8	/	15	0.3	0.0046	0.0025
626CE	6	19	6	0.3	8	/	17	0.3	0.0063	0.0034
636CE	6	22	7	0.3	8	/	20	0.3	0.0108	0.0058
687CE	7	14	3.5	0.15	8.2	/	12.8	0.15	0.0017	0.0009
697CE	7	17	5	0.3	9	/	15	0.3	0.004	0.0022
607CE	7	19	6	0.3	9	/	17	0.3	0.0059	0.0032
627CE	7	22	7	0.3	9	/	20	0.3	0.0098	0.0053

637CE	7	26	9	0.3	9	/	24	0.3	0.0185	0.01
688CE	8	16	4	0.2	9.6	/	14.4	0.2	0.0025	0.0014
698CE	8	19	6	0.3	10	/	17	0.3	0.0056	0.003
608CE	8	22	7	0.3	10	/	20	0.3	0.0093	0.005
628CE	8	24	8	0.3	10	/	22	0.3	0.013	0.0072
638CE	8	28	9	0.3	10	/	26	0.3	0.022	0.012
689CE	9	17	4	0.2	10.6	/	15.4	0.2	0.0027	0.0015
699CE	9	20	6	0.3	11	/	18	0.3	0.0065	0.0035
609CE	9	24	7	0.3	11	/	22	0.3	0.011	0.006
629CE	9	26	8	0.3	11	/	24	0.3	0.015	0.0081
639CE	9	30	10	0.6	13	/	26	0.6	0.028	0.015
6800CE	10	19	5	0.3	12	12	17	0.3	0.004	0.0021
6900CE	10	22	6	0.3	12	12.5	20	0.3	0.007	0.0038
6000CE	10	26	8	0.3	12	13	24	0.3	0.014	0.0075
6200CE	10	30	9	0.6	14	16	26	0.6	0.025	0.013
6300CE	10	35	11	0.6	14	16.5	31	0.6	0.04	0.022
6801CE	12	21	5	0.3	14	14	19	0.3	0.005	0.0025
6901CE	12	24	6	0.3	14	14.5	22	0.3	0.008	0.0042
16001CE	12	28	7	0.3	14	/	26	0.3	0.015	0.0079
6001CE	12	28	8	0.3	14	15.5	26	0.3	0.017	0.0092
6201CE	12	32	10	0.6	16	17	28	0.6	0.028	0.015
6301CE	12	37	12	1	17	18	32	1	0.046	0.025
6802CE	15	24	5	0.3	17	17	22	0.3	0.005	0.0029
6902CE	15	28	7	0.3	17	17	26	0.3	0.012	0.0063
16002CE	15	32	8	0.3	17	/	30	0.3	0.021	0.011
6002CE	15	32	9	0.3	17	19	30	0.3	0.024	0.013
6202CE	15	35	11	0.6	19	20.5	31	0.3	0.035	0.019
6302CE	15	42	13	1	20	22.5	37	1	0.064	0.035
6803CE	17	26	5	0.3	19	19	24	0.3	0.005	0.0029
6903CE	17	30	7	0.3	19	19.5	28	0.3	0.013	0.0071
16003CE	17	35	8	0.3	19	/	33	0.3	0.025	0.014
6003CE	17	35	10	0.3	19	21.5	33	0.3	0.032	0.017
6203CE	17	40	12	0.6	21	23.5	36	0.6	0.052	0.028
6303CE	17	47	14	1	22	25.5	42	1	0.087	0.047
6403CE	17	62	17	1.1	23.5	/	55.5	1	0.21	0.11
6804CE	20	32	7	0.3	22	22.5	30	0.3	0.013	0.007
6904CE	20	37	9	0.3	22	24	35	0.3	0.028	0.015
16004CE	20	42	8	0.3	22	/	40	0.3	0.037	0.02
6004CE	20	42	12	0.6	24	25.5	38	0.6	0.052	0.028
6204CE	20	47	14	1	25	26.5	42	1	0.082	0.045
6304CE	20	52	15	1.1	26.5	28	45.5	1	0.11	0.06
6404CE	20	72	19	1.1	26.5	/	65.5	1	0.31	0.17
6805CE	25	37	7	0.3	27	27	35	0.3	0.016	0.009
6905CE	25	42	9	0.3	27	28.5	40	0.3	0.032	0.018
16005CE	25	47	8	0.3	27	/	45	0.3	0.045	0.025
6005CE	25	47	12	0.6	29	30	43	0.6	0.061	0.033
6205CE	25	52	15	1	30	32	47	1	0.099	0.054
6305CE	25	62	17	1.1	31.5	36	55.5	1	0.18	0.098
6405CE	25	80	21	1.5	33	/	72	1.5	0.41	0.22
6806CE	30	42	7	0.3	32	32	50	1	0.018	0.01
6906CE	30	47	9	0.3	32	34	57	1	0.04	0.022
16006CE	30	55	9	0.3	32	42.5	65.5	1	0.067	0.036
6006CE	30	55	13	1	35	36.5	53	1	0.089	0.048
6206CE	30	62	16	1	35	38.5	60	1	0.15	0.083
6306CE	30	72	19	1.1	36.5	42.5	68.5	1	0.27	0.14
6406CE	30	90	23	1.5	54	/	82	2	0.57	0.31
6807CE	35	47	7	0.3	37	37	45	0.3	0.021	0.011

6907CE	35	55	10	0.6	39	39	51	0.6	0.058	0.031
16007CE	35	62	9	0.3	37	/	60	0.3	0.082	0.045
6007CE	35	62	14	1	40	41.5	57	1	0.12	0.063
6207CE	35	72	17	1.1	41.5	44.5	65.5	1	0.22	0.12
6307CE	35	80	21	1.5	43	47	72	1.5	0.36	0.19
6407CE	35	100	25	1.5	43	/	92	1.5	0.73	0.4
6808CE	40	52	7	0.3	42	42	50	0.3	0.02	0.013
6908CE	40	62	12	0.6	44	46	58	0.6	0.09	0.05
16008CE	40	68	9	0.3	42	/	66	0.3	0.1	0.05
6008CE	40	68	15	1	45	47.5	63	1	0.15	0.08
6208CE	40	80	18	1.1	46.5	50.5	73.5	1	0.28	0.15
6308CE	40	90	23	1.5	48	53	80	1.5	0.49	0.27
6408CE	40	110	27	2	49	/	101	2	0.946	0.513
6809CE	45	58	7	0.3	47	47.5	56	0.3	0.029	0.016
6909CE	45	68	12	0.6	49	50	64	0.6	0.097	0.053
16009CE	45	75	10	0.6	49	/	71	0.6	0.13	0.07
6009CE	45	75	16	1	50	53.5	70	1	0.19	0.1
6209CE	45	85	19	1.1	51.5	55.5	78.5	1	0.32	0.175
6309CE	45	100	25	1.5	53	61.5	92	1.5	0.64	0.345
6409CE	45	120	29	2	54	/	111	2	1.18	0.64
6810CE	50	65	7	0.3	52	52.5	63	0.3	0.038	0.021
6910CE	50	72	12	0.6	54	55	68	0.6	0.1	0.06
16010CE	50	80	10	0.6	54	/	76	0.6	0.13	0.07
6010CE	50	80	16	1	55	58.5	75	1	0.2	0.11
6210CE	50	90	20	1.1	56.5	60	83.2	1	0.35	0.19
6310CE	50	110	27	2	59	68	101	2	0.82	0.44
6410CE	50	130	31	2.1	61	/	119	2	1.45	0.78
6811CE	55	72	9	0.3	57	59	70	0.3	0.06	0.03
6911CE	55	80	13	1	60	61.5	75	1	0.15	0.08
16011CE	55	90	11	0.6	59	/	86	0.6	0.2	0.11
6011CE	55	90	18	1.1	61.5	64	83.5	1	0.29	0.16
6211CE	55	100	21	1.5	63	66.5	92	1.5	0.48	0.26
6311CE	55	120	29	2	64	72.5	111	2	1.05	0.57
6411CE	55	140	33	2.1	66	/	129	2	1.76	0.95
6812CE	60	78	10	0.3	62	64	76	0.3	0.08	0.04
6912CE	60	85	13	1	65	66	80	1	0.15	0.08
16012CE	60	95	11	0.6	64	/	91	0.6	0.22	0.12
6012CE	60	95	18	1.1	66.5	69	88.5	1	0.32	0.17
6212CE	60	110	22	1.5	68	74.5	102	1.5	0.6	0.33
6312CE	60	130	31	2.1	71	79	119	2	1.32	0.72
6412CE	60	150	35	2.1	71		139	2	2.13	1.15
6813CE	65	85	10	0.6	69	69	81	0.6	0.1	0.05
6913CE	65	90	13	1	70	71.5	85	1	0.17	0.09
16013CE	65	100	11	0.6	69	/	96	0.6	0.23	0.13
6013CE	65	100	18	1.1	71.5	73	93.5	1	0.34	0.18
6213CE	65	120	23	1.5	73	80	112	1.5	0.77	0.42
6313CE	65	140	33	2.1	76	85.5	129	2	1.62	0.88
6814CE	70	90	10	0.6	74	74.5	86	0.6	0.1	0.056
6914CE	70	100	16	1	75	77.5	95	1	0.27	0.15
16014CE	70	110	13	0.6	74	/	106	0.6	0.34	0.18
6014CE	70	110	20	1.1	76.5	80.5	103.5	1	0.47	0.25
6214CE	70	125	24	1.5	78	84	117	1.5	0.84	0.45
6314CE	70	150	35	2.1	81	92	139	2	1.98	1.07
6815CE	75	95	10	0.6	79	79.5	91	0.6	0.11	0.06
6915CE	75	105	16	1	80	82	100	1	0.28	0.15
16015CE	75	115	13	0.6	79	/	111	0.6	0.36	0.19
6015CE	75	115	20	1.1	81.5	85.5	108.5	1	0.5	0.27

6215CE	75	130	25	1.5	83	90	122	1.5	0.92	0.5
6816CE	80	100	10	0.6	84	84.5	96	0.6	0.12	0.063
6916CE	80	110	16	1	85	87.5	105	1	0.3	0.16
16016CE	80	125	14	0.6	84	/	121	0.6	0.48	0.26
6016CE	80	125	22	1.1	86.5	91	118.5	1	0.67	0.36
6216CE	80	140	26	2	89	95.5	131	2	1.09	0.59
6817CE	85	110	13	1	90	90.5	105	1	0.2	0.11
6917CE	85	120	18	1.1	91.5	94.5	113.5	1	0.42	0.23
16017CE	85	130	14	0.6	89	/	126	0.6	0.5	0.27
6017CE	85	130	22	1.1	91.5	96	123.5	1	0.71	0.38
6217CE	85	150	28	2	94	102	141	2	1.35	0.73
6818CE	90	115	13	1	95	95.5	110	1	0.21	0.12
6918CE	90	125	18	1.1	96.5	98.5	118.5	1	0.45	0.24
16018CE	90	140	16	1	95	/	135	1	0.67	0.36
6018CE	90	140	24	1.5	98	103	132	1.5	0.92	0.5
6819CE	95	120	13	1	100	102	115	1	0.23	0.12
6919CE	95	130	18	1.1	101.5	104	123.5	1	0.46	0.25
16019CE	95	145	16	1	100	/	140	1	0.7	0.38
6019CE	95	145	24	1.5	103	109	137	1.5	0.95	0.51
6820CE	100	125	13	1	105	106	120	1	0.24	0.13
6920CE	100	140	20	1.1	106.5	111	133.5	1	0.64	0.35
16020CE	100	150	16	1	105	/	145	1	0.73	0.39
6020CE	100	150	24	1.5	108	113	142	1.5	0.99	0.54
6821CE	105	130	13	1	110	111	125	1	0.25	0.14
6921CE	105	145	20	1.1	111.5	116	138.5	1	0.66	0.36
6822CE	110	140	16	1	115	117	135	1	0.38	0.21
6922CE	110	150	20	1.1	116.5	121	143.5	1	0.69	0.37
6824CE	120	150	16	1	125	127	145	1	0.41	0.22

www.motnbearing.com