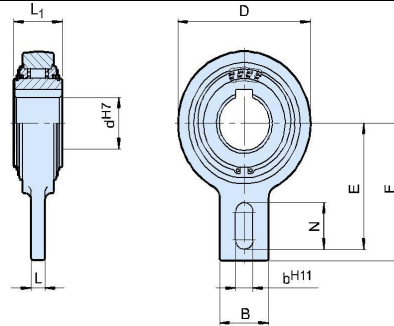
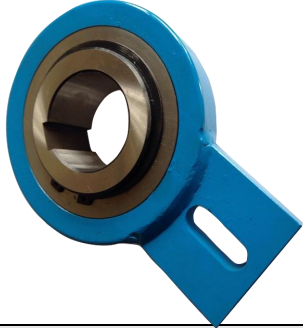


RSBW Series

Type RSBW is a DC sprag type freewheel. It is self-contained, centered by plain bearings for low rotational speeds and sealed using shield protected O-Rings. Unit is delivered grease lubricated ready for installation in either a horizontal or vertical position. -Primarily used as a backstop, this type provides a high torque capacity with a minimum space requirement. The design allows installation in difficult environments- such as high humidity or water splash areas. A bolt, secured- to a fixed part of the machine and passing through the slot in the torque arm, provides the rotational stop. Radial clearance on this bolt should be equal to 1–3 % of the slot width. The torque arm and the bearings must not be pre-stressed.

Freewheel Clutch Bearings: RSBW Series



Motion(shanghai)Industrial Development Co.,Ltd

Type	Size		Overrunni ng speed									Weight
MOTN	d_{H7} [mm]	TKN ¹⁾ [Nm]	n _{imax} [min ⁻¹]	D [mm]	L1 [mm]	F [mm]	E [mm]	B [mm]	N [mm]	L [mm]	b_{H11} [mm]	[kg]
RSBW	20	375	400	106	35	113	102,5	40	35	15	18	2
RSBW	25	606	400	106	48	113	102,5	40	35	15	18	2,6
RSBW	30	606	400	106	48	113	102,5	40	35	15	18	2,5
RSBW	35M	375	400	106	35	113	102,5	40	35	15	18	2
RSBW	35	606	400	106	48	113	102,5	40	35	15	18	2,4
RSBW	40	1295	300	132	52	125	115	60	35	15	18	4,6
RSBW	45	1295	300	132	52	125	115	60	35	15	18	4,5
RSBW	50	1295	300	132	52	125	115	60	35	15	18	4,5
RSBW	55	1295	300	132	52	125	115	60	35	15	18	4,4
RSBW	60	2550	250	161	54	140	130	70	35	15	18	6,5
RSBW	70	2550	250	161	54	140	130	70	35	15	18	6,4
RSBW	80	4875	200	190	70	165	150	70	45	20	25	9,9
RSBW	90	4875	200	190	70	165	150	70	45	20	25	9,8

www.motnbearing.com