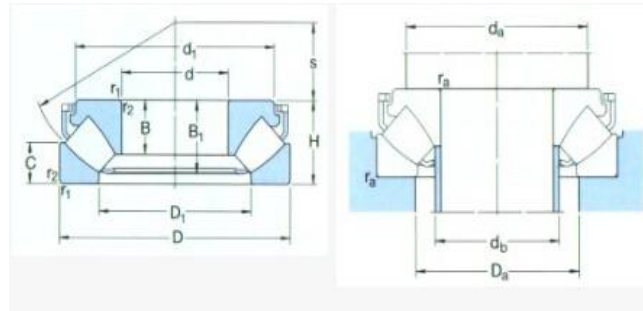


Spherical roller bearing are two symmetrical spherical roller.
 Aligning with good performance.
 It has a good impact resistance.
 Spherical roller bearings allowed working speed is low.
 The main radial load, but also can withstand axial load in either direction.
 Having a high radial load capacity, especially suitable for heavy work loads or vibration.
 can compensate concentricity error.
 easy to use.

Sealed spherical roller bearing



Motion(shanghai)Industrial Development Co.,Ltd

Principal dimensions			Basic load ratings		Pu	Limiting Speed	Weight	Designation		Dimensions					Abutment and fillet dimensions				Value					
(mm)			KN					Cylindrical Bore		Taper Bore		mm					mm							
d	D	B	dyc Cr	stc Cor				d	d2 ~	D1 ~	b	k	r1,2 Min	da Min	da Max	Da Max	ra Max	e	Y1	Y2	Y0			
30	62	25	64	60	6.4	2800	0.34	BS2-2206-2CS	-	30	36	55.7	3.7	2	1	35.6	36	56.4	1	0.31	2.2	3.3	2	
35	72	28	86.5	85	9.3	2400	0.52	BS2-2207-2CS	-	35	43	63.7	3.7	2	1.1	42	43	65	1	0.31	2.2	3.3	2.2	
40	80	28	96.5	90	9.8	2200	0.57	BS2-2208-2CS	BS2-2208-2CSK	40	47	73	5.5	3	1.1	47	47	73	1	0.28	2.4	3.6	2.5	
45	85	28	102	98	10.8	2000	0.66	BS2-2209-2CS	BS2-2209-2CSK	45	53	77.1	5.5	3	1.1	52	53	78	1	0.26	2.6	3.9	2.5	
50	90	28	104	108	11.8	1900	0.70	BS2-2210-2CS	BS2-2210-2CSK	50	58	82.1	5.5	3	1.1	57	58	83	1	0.24	2.8	4.2	2.8	
55	100	31	125	127	13.7	1700	1.00	BS2-2211-2CS	BS2-2211-2CSK	55	64	91.9	5.5	3	1.5	64	64	91	1.5	0.24	2.8	4.2	2.8	
60	110	34	156	166	18.6	1600	1.30	BS2-2212-2CS	BS2-2212-2CSK	60	69	102	5.5	3	1.5	69	69	101	1.5	0.24	2.8	4.2	2.8	
65	100	35	132	173	20.4	1000	0.95	24013-2CS5/VT143	-	65	71.5	92.8	3.7	2	1.1	71	71.5	94	1	0.27	2.5	3.7	2.5	
65	120	38	193	216	24	1500	1.60	BS2-2213-2CS	BS2-2213-2CSK	65	76	111	5.5	3	1.5	74	76	111	1.5	0.24	2.8	4.2	2.8	
70	125	38	208	228	25.5	1400	1.80	BS2-2214-2CS	BS2-2214-2CSK	70	80	115	5.5	3	1.5	79	80	116	1.5	0.23	2.9	4.4	2.8	
75	115	40	173	232	28.5	950	1.55	24015-2CS2/VT143	-	75	81.5	105	5.5	3	1.1	81	81.5	109	1	0.28	2.4	3.6	2.5	
75	130	38	212	240	26.5	1300	2.10	BS2-2215-2CS	BS2-2215-2CSK	75	84	119	5.5	3	1.5	84	84	121	1.5	0.22	3	4.6	2.8	
75	160	64	440	475	48	950	6.54	BS2-2315-2CS	-	75	88.2	145	8.3	4.5	2.1	87	88	148	2	0.35	1.9	2.9	1.8	
80	140	40	236	270	29	1200	2.40	BS2-2216-2CS	BS2-2216-2CSK	80	91.5	128	5.5	3	2	91	91.5	129	2	0.22	3	4.6	2.8	
85	150	44	285	325	34.5	1100	3.00	BS2-2217-2CS	BS2-2217-2CSK	85	98	138	5.5	3	2	96	98	139	2	0.22	3	4.6	2.8	
90	160	48	325	375	39	1000	3.70	BS2-2218-2CS	BS2-2218-2CSK	90	102	148	5.5	3	2	101	102	149	2	0.24	2.8	4.2	2.8	

100	150	50	285	415	45,5	800	3,15	24020-2CS2/VT143	-	100	108	139	5,5	3	1,5	107	108	143	1,5	0,28	2,4	3,6	2,5
100	165	52	365	490	53	850	4,55	23120-2CS2/VT143	-	100	112	152	5,5	3	2	111	112	154	2	0,27	2,5	3,7	2,5
100	180	55	425	490	49	900	5,50	BS2-2220-2CS	-	100	114	162	8,3	4,5	2,1	112	114	168	2	0,24	2,8	4,2	2,8
100	180	60,3	475	600	63	700	6,85	23220-2CS	-	100	114	161	8,3	4,5	2,1	112	114	168	2	0,30	2,3	3,4	2,2
110	170	45	310	440	46,5	900	3,80	23022-2CS	-	110	122	157	8,3	4,5	2	119	122	161	2	0,23	2,9	4,4	2,8
110	180	56	430	585	61	800	5,75	23122-2CS2/VT143	-	110	122	166	8,3	4,5	2	121	122	169	2	0,27	2,5	3,7	2,5

www.motnbearing.com