

Needle roller bearings, relative to its diameter, roller both thin and long. This is called needle roller. Despite having a smaller cross-section, it has a higher load bearing capacity, equipped with a thin and long needle bearing roller, so the radial structure is compact, its diameter size and load capacity and other types of bearings, the outer diameter minimum, especially for radial mounting dimensions restricted support structure.

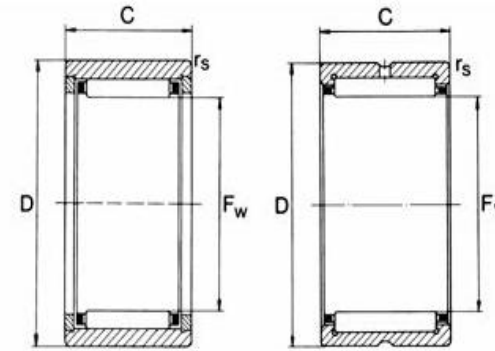
Needle roller bearings are single or double row units comprising machined outer rings with ribs, needle roller and cage assemblies and removable inner rings.

The bearings are available in open and sealed versions.

needle bearings have cylindrical roller, which are thin and long relatively to its diameter

Despite the smaller cross-section, the bearings still have a high load bearing capacity.

Solid needle roller bearing



NK,NKS

NK,NKS,RNA49

Motion(shanghai)Industrial Development Co.,Ltd

Shaft Diameter	Bearing Designation		d	Boundary Dimensions					Basic Load Ratings		Limiting Speed
				F _w	D	B	C	r _s	Dynamic	Static	Oil
						C			C	C ₀	
mm	single sealed	double	mm					Min.	N	rpm	
5	NK 5/10 TN	-	-	5	10	-	10	0.15	2350	1920	39000
5	NK 5/12 TN	-	-	5	10	-	12	0.15	3000	2650	39000
6	NK 6/10 TN	-	-	6	12	-	10	0.15	2600	2280	37000
6	NK 6/12 TN	-	-	6	12	-	12	0.15	3350	3150	37000

7	NK 7/10 TN	-	-	7	14	-	10	0.3	2850	2650	34000
7	NK 7/12 TN	-	-	7	14	-	12	0.3	3650	3600	34000
8	NK 8/12 TN	-	-	8	15	-	12	0.3	3950	4100	32000
8	NK 8/16 TN	-	-	8	15	-	16	0.3	5100	5800	32000
8	NKS 8 TN	-	-	8	16	-	13	0.3	5000	4700	32000
9	NK 9/12 TN	-	-	9	16	-	12	0.3	4500	5000	31000
9	NK 9/16 TN	-	-	9	16	-	16	0.3	5900	7100	31000
10	NK 10/12 TN	-	-	10	17	-	12	0.3	4750	5500	29000
10	NK 10/16 TN	-	-	10	17	-	16	0.3	6200	7800	29000
10	NKS 10 TN	-	-	10	19	-	13	0.3	5800	6000	29000
12	NK 12/12	-	-	12	19	-	12	0.3	6400	7100	27000
12	NK 12/16	-	-	12	19	-	16	0.3	9000	11000	27000
12	NKS 12 TN	-	-	12	22	-	16	0.6	9600	10400	26000
14	NK 14/16	-	-	14	22	-	16	0.3	10100	11500	25000
14	NK 14/20	-	-	14	22	-	20	0.3	12800	15600	25000
14	NKS 14	-	-	14	25	-	16	0.6	14400	13800	24000
14	RNA 4900	-	-	14	22	-	13	0.3	8500	9200	25000
15	NK 15/16	-	-	15	23	-	16	0.3	10700	12700	24000
15	NK 15/20	-	-	15	23	-	20	0.3	13600	17200	24000
15	NKS 15	-	-	15	26	-	16	0.6	14400	14000	23000
16	NK 16/16	-	-	16	24	-	16	0.3	11300	13900	23000
16	NK 16/20	-	-	16	24	-	20	0.3	14400	18800	23000
16	NKS 16	-	-	16	28	-	16	0.6	15700	15800	22000
16	RNA 4901	-	-	16	24	-	13	0.3	9400	10900	23000
16	RNA 6901	-	-	16	24	-	22	0.3	16000	21600	23000
17	NK 17/16	-	-	17	25	-	16	0.3	11900	15000	23000
17	NK 17/20	-	-	17	25	-	20	0.3	15100	20400	23000
18	NK 18/16	-	-	18	26	-	16	0.3	12500	16200	22000
18	NK 18/20	-	-	18	26	-	20	0.3	15800	22000	22000
18	NKS 18	-	-	18	30	-	16	0.6	16800	17700	21000
19	NK 19/16	-	-	19	27	-	16	0.3	13000	17400	22000
19	NK 19/20	-	-	19	27	-	20	0.3	16500	23600	22000

20	NK20/16	-	-	20	28	-	16	0.3	13000	17500	21000
20	NK20/20	-	-	20	28	-	20	0.3	16400	23800	21000
20	NKS 20	-	-	20	32	-	20	0.6	23000	25000	20000
20	RNA4902	-	-	20	28	-	13	0.3	10600	13600	21000
20	RNA6902	-	-	20	28	-	23	0.3	17300	25500	21000
21	NK21/16	-	-	21	29	-	16	0.3	13500	18700	21000
21	NK21/20	-	-	21	29	-	20	0.3	17100	25500	21000
22	NK22/16	-	-	22	30	-	16	0.3	14000	19900	20000
22	NK22/20	-	-	22	30	-	20	0.3	17700	27000	20000
22	NKS 22	-	-	22	35	-	20	0.6	24500	28000	18000
22	RNA4903	-	-	22	30	-	13	0.3	11000	14600	20000
22	RNA6903	-	-	22	30	-	23	0.3	18600	29000	20000
24	NK24/16	-	-	24	32	-	16	0.3	15000	22300	18000
24	NK24/20	-	-	24	32	-	20	0.3	19000	30500	18000
24	NKS24	-	-	24	34	-	20	0.6	26000	31000	17000
25	NK25/16	-	-	25	33	-	16	0.3	14900	22400	18000
25	NK25/20	-	-	25	33	-	20	0.3	18800	30500	18000
25	NKS 25	-	-	25	38	-	20	0.6	27500	33500	17000
25	RNA4904	-	-	25	37	-	17	0.3	21000	25500	17000
25	RNA6904	-	-	25	37	-	30	0.3	36000	51000	17000
26	NK26/16	-	-	26	34	-	16	0.3	15300	23600	17000
26	NK26/20	-	-	26	34	-	20	0.3	19400	32000	17000
28	NK28/20	-	-	28	37	-	20	0.3	22000	34000	16000
28	NK28/30	-	-	28	37	-	30	0.3	33000	57000	16000
28	NKS28	-	-	28	42	-	20	0.6	28500	36500	15000
28	RNA49/22	-	-	28	39	-	17	0.3	22800	29500	15000
28	RNA69/22	-	-	28	39	-	30	0.3	37500	55000	15000
29	NK29/20	-	-	29	38	-	20	0.3	21900	34000	15000
29	NK29/30	-	-	29	38	-	30	0.3	32500	57000	15000
30	NK30/20	-	-	30	40	-	20	0.3	22600	36000	15000
30	NK30/30	-	-	30	40	-	30	0.3	33500	60000	15000
30	NKS30	-	-	30	45	-	22	0.6	32000	40000	14000

30	RNA4905	-	-	30	42	-	17	0.3	23600	31500	14000
30	RNA6905	-	-	30	42	-	30	0.3	39000	59000	14000
5	NKI 5/12 TN	-	-	5	8	15	12	0.3	3950	4100	32000
5	NKI 5/16 TN	-	-	5	8	15	16	0.3	5100	5800	32000
6	NKI 6/12 TN	-	-	6	9	16	12	0.3	4500	5000	31000
6	NKI 6/16 TN	-	-	6	9	16	16	0.3	5900	7100	31000
6	NKIS 6 TN	-	-	6	10	19	13	0.3	5800	6000	29000
7	NKI 7/12 TN	-	-	7	10	17	12	0.3	4750	5500	29000
7	NKI 7/16 TN	-	-	7	10	17	16	0.3	6200	7800	29000
7	NKIS 7 TN	-	-	7	12	22	16	0.6	9600	10400	26000
8	NKIS 8	-	-	8	14	25	16	0.6	14400	13800	24000
9	NKI 9/12	-	-	9	12	19	12	0.3	6400	7100	27000
9	NKI 9/16	-	-	9	12	19	16	0.3	9000	11000	27000
9	NKIS 9	-	-	9	15	26	16	0.6	14400	14000	23000
10	NKI 10/16	-	-	10	14	22	16	0.3	10100	11500	25000
10	NKI 10/20	-	-	10	14	22	20	0.3	12800	15600	25000
10	INKIS 10	-	-	10	16	28	16	0.6	15700	15800	22000
10	NA 4900	-	-	10	14	22	13	0.3	8500	9200	25000
12	NKI 12/16	-	-	12	16	24	16	0.3	11300	13900	23000
12	NKI 12/20	-	-	12	16	24	20	0.3	14400	18800	23000
12	INKIS 12	-	-	12	18	30	16	0.6	16800	17700	21000
12	NA 4901	-	-	12	16	24	13	0.3	9400	10900	23000
12	NA 6901	-	-	12	16	24	22	0.3	16000	21600	23000
15	NKI 15/16	-	-	15	19	27	16	0.3	13000	17400	22000
15	NKI 15/20	-	-	15	19	27	20	0.3	16500	23600	22000
15	INKIS 15	-	-	15	22	35	20	0.6	24500	28000	18000
15	NA 4902	-	-	15	20	28	13	0.3	10600	13600	21000
15	NA 6902	-	-	15	20	28	23	0.3	17300	25500	21000
17	NKI 17/16	-	-	17	21	29	16	0.3	13500	18700	21000
17	NKI 17/20	-	-	17	21	29	20	0.3	17100	25500	21000
17	NKIS 17	-	-	17	24	37	20	0.6	26000	31000	17000
17	NA 4903	-	-	17	22	30	13	0.3	11000	14600	20000

17	NA 6903	-	-	17	22	30	23	0.3	18600	29000	20000
20	NKI 20/16	-	-	20	24	32	16	0.3	15000	22300	18000
20	NKI 20/20	-	-	20	24	32	20	0.3	19000	30500	18000
20	NKIS 20	-	-	20	28	42	20	0.6	28500	36500	15000
20	NA 4904	-	-	20	25	37	17	0.3	21000	25500	17000
20	NA 6904	-	-	20	25	37	30	0.3	36000	51000	17000
22	NKI 22/16	-	-	22	26	34	16	0.3	15300	23600	17000
22	NKI 22/20	-	-	22	26	34	20	0.3	19400	32000	17000
22	NA 49/22	-	-	22	28	39	17	0.3	22800	29500	15000
22	NA 69/22	-	-	22	28	39	30	0.3	37500	55000	15000
25	NKI 25/20	-	-	25	29	38	20	0.3	21900	34000	15000
25	NKI 25/30	-	-	25	29	38	30	0.3	32500	57000	15000
25	NKIS 25	-	-	25	32	47	22	0.6	33500	43500	13000
25	NA 4905	-	-	25	30	42	17	0.3	23600	31500	14000
25	NA 6905	-	-	25	30	42	30	0.3	29000	59000	14000
28	NKI 28/20	-	-	28	32	42	20	0.3	23100	37500	14000
28	NKI 28/30	-	-	28	32	42	30	0.3	34500	63000	14000
28	NA 49/28	-	-	28	32	45	17	0.3	24400	33500	14000
28	NA 69/28	-	-	28	32	45	30	0.3	40500	63000	14000
30	NKI 30/20	-	-	30	35	45	20	0.3	24300	41500	13000
30	NKI 30/30	-	-	30	35	45	30	0.3	36500	69000	13000
30	NKIS 30	-	-	30	37	52	22	0.6	36500	50000	12000
30	NA 4906	-	-	30	35	47	17	0.3	25000	35500	13000
30	NA 6906	-	-	30	35	47	30	0.3	43500	71000	13000
32	NKI 32/20	-	-	32	37	47	20	0.3	24900	43500	12000
32	NKI 32/30	-	-	32	37	47	30	0.3	37000	73000	12000
32	NA 49/32	-	-	32	40	52	20	0.6	30500	47500	11000
32	NA 69/32	-	-	32	40	52	36	0.6	47000	82000	11000
35	NKI 35/20	-	-	35	40	50	20	0.3	26000	47000	11000
35	NKI 35/30	-	-	35	40	50	30	0.3	39000	79000	11000
35	NKIS 35	-	-	35	43	58	22	0.6	39000	57000	10000
35	NA 4907	-	-	35	42	55	20	0.6	31500	50000	11000

35	NA 6907	-	-	35	42	55	36	0.6	48000	86000	11000
14	RNA 4900 RS	RNA 4900	-	14	22	-	13	0.3	6800	6900	13000
16	RNA 4901 RS	RNA 4901	-	16	24	-	13	0.3	7600	8300	12000
20	RNA 4902 RS	RNA 4902	-	20	28	-	13	0.3	8600	10300	10000
22	RNA 4903 RS	RNA 4903	-	22	30	-	13	0.3	8800	11000	9000
25	RNA 4904 RS	RNA 4904	-	25	37	-	17	0.3	17300	19900	7500
30	RNA 4905 RS	RNA 4905	-	30	42	-	17	0.3	19300	24200	6500
35	RNA 4906 RS	RNA 4906	-	35	47	-	17	0.3	21100	28500	5500
42	RNA 4907 RS	RNA 4907	-	42	55	-	20	0.6	26500	39500	4800
48	RNA 4908 RS	RNA 4908	-	48	62	-	22	0.6	36000	53000	4200
52	RNA 4909 RS	RNA 4909	-	52	68	-	22	0.6	38000	59000	3900
58	RNA 4910 RS	RNA 4910	-	58	72	-	22	0.6	40000	64000	3500
10	NA 4900 RS	NA 4900	10	14	22	13	14	0.3	6800	6900	13000
12	NA 4901 RS	NA 4901	12	16	24	13	14	0.3	7600	8300	12000
15	NA 4902 RS	NA 4902	15	20	28	13	14	0.3	8600	10300	10000
17	NA 4903 RS	NA 4903	17	22	30	13	14	0.3	8800	11000	9000
20	NA 4904 RS	NA 4904	20	25	37	17	18	0.3	17300	19900	7500
25	NA 4905 RS	NA 4905	25	30	42	17	18	0.3	19300	24200	6500
30	NA 4906 RS	NA 4906	30	35	47	17	18	0.3	21100	28500	5500
35	NA 4907 RS	NA 4907	35	42	55	20	21	0.6	26500	39500	4800
40	NA 4908 RS	NA 4908	40	48	62	22	23	0.6	36000	53000	4200
45	NA 4909 RS	NA 4909	45	52	68	22	23	0.6	38000	59000	3900
50	NA 4910 RS	NA 4910	50	58	72	22	23	0.6	40000	64000	3500
5	RNAO 5X10X 8 TN	-	-	8	5.3	7.7	8.3	0.15	2350	1920	39000
6	RNAO 6X13X 8 TN	-	-	9	6.3	8.7	9.3	0.3	2600	2280	37000
7	RNAO 7X14X 8 TN	-	-	10	7.3	9.7	10.3	0.3	2850	2650	34000
8	RNAO 8X15X10 TN	-	-	11	8.3	10.7	11.3	0.3	3950	4100	32000
10	RNAO 10X17X10	-	-	13	10.3	12.7	13.3	0.3	4750	5500	29000
12	RNAO 12X19X13.5	-	-	15	12.3	14.7	15.3	0.3	6400	8500	27000
12	RNAO 12X22X12 T	-	-	18	12.3	17.6	18.3	0.3	10000	9900	26000
15	RNAO 15X23X13	-	-	19	15.4	18.6	19.3	0.3	8500	10900	24000
16	RNAO 16X24X13	-	-	20	16.4	19.6	20.3	0.3	8900	11800	24000

16	RNAO 16X24X20	-	-	20	16.4	19.6	20.3	0.3	13300	19800	24000
16	RNAO 16X28X12	-	-	22	16.4	21.6	22.3	0.3	11500	12500	23000
17	RNAO 17X25X13	-	-	21	17.4	20.6	21.3	0.3	10400	14600	23000
18	RNAO 18X30X24	-	-	24	18.4	23.6	24.5	0.3	20100	26500	22000
20	RNAO 20X28X13	-	-	24	20.4	23.6	24.3	0.3	9800	14300	21000
20	RNAO 20X28X26	-	-	24	20.4	23.6	24.3	0.3	16800	28500	21000
20	RNAO 20X32X12	-	-	26	20.4	25.6	26.5	0.3	13400	16200	21000
22	RNAO 22X30X13	-	-	26	22.4	25.6	26.3	0.3	10400	15900	20000
22	RNAO 22X35X16	-	-	29	22.4	28.4	29.5	0.3	20000	25500	19000
25	RNAO 25X35X17	-	-	29	25.6	28.4	29.5	0.3	14900	26000	18000
25	RNAO 25X35X26	-	-	29	25.6	28.4	29.5	0.3	19400	37000	18000
25	RNAO 25X37X16	-	-	32	25.6	31.4	32.5	0.3	21000	28000	17000
25	RNAO 25X37X32	-	-	32	25.6	31.4	32.5	0.3	36000	56000	17000
26	RNAO 26X39X13	-	-	30	26.6	29.4	30.5	0.3	11600	19200	18000
30	RNAO 30X40X17	-	-	35	30.6	34.4	35.5	0.3	19600	34000	15000
30	RNAO 30X40X26	-	-	35	30.6	34.4	35.5	0.3	27000	51000	15000
30	RNAO 30X42X16	-	-	37	30.6	36.4	37.5	0.3	23100	33500	15000
30	RNAO 30X42X32	-	-	37	30.6	36.4	37.5	0.3	39500	67000	15000
35	RNAO 35X45X13	-	-	40	35.6	39.4	40.5	0.3	16200	28000	13000
35	RNAO 35X45X17	-	-	40	35.6	39.4	40.5	0.3	20800	38500	13000
35	RNAO 35X45X26	-	-	40	35.6	39.4	40.5	0.3	27500	56000	13000
35	RNAO 35X47X16	-	-	42	35.6	41.4	42.5	0.3	24400	37500	13000
35	RNAO 35X47X18	-	-	42	35.6	41.4	42.5	0.3	27500	43000	13000
35	RNAO 35X47X32	-	-	42	35.6	41.4	42.5	0.3	42000	75000	13000
37	RNAO 37X52X18	-	-	44	37.6	43.4	42.5	0.3	28000	45500	12000
40	RNAO 40X50X17	-	-	45	40.6	44.4	45.5	0.3	21400	41500	12000
40	RNAO 40X50X34	-	-	45	40.6	44.4	45.5	0.3	36500	83000	12000
40	RNAO 40X55X20	-	-	47	40.6	46.2	47.5	0.3	32500	57000	11000
40	RNAO 40X55X40	-	-	48	40.6	47.2	47.5	0.3	62000	118000	11000
42	RNAO 42X57X20	-	-	50	42.6	49.2	50.5	0.3	36000	59000	11000
45	RNAO 45X55X17	-	-	50	45.6	49.2	50.5	0.3	22500	46000	10000
45	RNAO 45X62X40	-	-	53	45.6	52.2	53.5	0.3	67000	135000	10000

50	RNAO 50X62X20	-	-	55	50.6	54.2	55.8	0.3	26500	60000	9500
50	RNAO 50X65X20	-	-	58	50.6	57.2	58.5	0.3	35500	62000	9000
50	RNAO 50X65X40	-	-	58	50.6	57.2	58.5	0.6	61000	124000	9000
55	RNAO 55X68X20	-	-	60	55.8	59.4	60.8	0.6	28500	66000	8500
60	RNAO 60X78X20	-	-	68	60.8	67.2	68.8	1	43500	85000	7500
60	RNAO 60X78X40	-	-	68	60.8	67.2	68.8	1	75000	171000	7500
65	RNAO 65X85X30	-	-	73	66	72.2	73.8	1	57000	123000	7000
70	RNAO 70X90X30	-	-	78	71	77.2	78.8	1	60000	135000	6500
80	RNAO 80X100X30	-	-	88	81	87.2	89	1	72000	179000	6000
85	RNAO 85X105X26	-	-	93	86	92.2	94	1	57000	136000	5500
90	RNAO 90X105X26	-	-	98	91	97.2	99	1	61000	150000	5000
90	RNAO 90X110X30	-	-	98	91	97.2	99	1	68000	172000	5000
6	NAO 6X17X10 TN	-	-	13	10.3	12.7	13.3	0.3	4750	5500	29000
9	NAO 9X22X12 TN	-	-	18	12.3	17.6	18.3	0.3	10000	9900	26000
12	NAO 12X24X13	-	-	20	16.4	19.6	20.3	0.3	8900	11800	24000
12	NAO 12X24X20	-	-	20	16.4	19.6	20.3	0.3	13300	19800	24000
12	NAO 12X28X12	-	-	22	16.4	21.6	22.3	0.3	11500	12500	23000
15	NAO 15X28X13	-	-	24	20.4	23.6	24.3	0.3	9800	14300	21000
15	NAO 15X32X12	-	-	26	20.4	25.6	26.5	0.3	13400	16200	21000
17	NAO 17X30X13	-	-	26	22.4	25.6	26.3	0.3	10400	15900	20000
17	NAO 17X35X16	-	-	29	22.4	28.4	29.5	0.3	20000	25500	19000
20	NAO 20X35X17	-	-	29	25.6	28.4	29.5	0.3	14900	26000	18000
20	NAO 20X37X16	-	-	32	25.6	31.4	32.5	0.3	21000	28000	17000
25	NAO 25X40X17	-	-	35	30.6	34.4	35.5	0.3	19600	34000	15000
25	NAO 25X42X16	-	-	37	30.6	36.4	37.5	0.3	23100	33500	15000
25	NAO 25X42X32	-	-	37	30.6	36.4	37.5	0.3	39500	37000	15000
30	NAO 30X45X13	-	-	40	35.6	39.4	40.5	0.3	16200	28000	13000
30	NAO 30X45X17	-	-	40	35.6	39.4	40.5	0.3	20800	38500	13000
30	NAO 30X45X26	-	-	40	35.6	39.4	40.5	0.3	27500	56000	13000
30	NAO 30X47X16	-	-	42	35.6	41.4	42.5	0.3	24400	37500	13000
30	NAO 30X47X18	-	-	42	35.6	41.4	42.5	0.3	27500	43000	13000
30	NAO 30X52X18	-	-	44	37.6	43.4	44.5	0.3	28000	45500	12000

35	NAO 35X50X17	-	-	45	40.6	44.4	45.5	0.3	21400	41500	12000
35	NAO 35X55X20	-	-	47	40.6	46.2	47.5	0.3	32500	57000	11000
35	NAO 35X57X20.5	-	-	50	42.6	49.2	50.5	0.3	36000	59000	11000
40	NAO 40X55X17	-	-	50	45.69	49.2	50.5	0.3	22500	46000	10000
40	NAO 40X65X20	-	-	58	50.6	57.2	58.5	0.3	35500	62000	9000
50	NAO 50X68X20	-	-	60	55.8	59.2	60.8	0.6	28500	66000	8500
50	NAO 50X78X20	-	-	68	60.8	67.2	68.8	1	43500	85000	7500
70	NAO 70X100X30	-	-	88	81	87.2	89	1	72000	179000	6000
75	NAO 75X105X25	-	-	93	86	92.2	94	1	57000	136000	5500
80	NAO 80X110X30	-	-	98	91	97.2	99	1	68000	172000	5000
90	NAO 90X120X30	-	-	108	101	107.2	109	1	71000	188000	4700
15.875	BR 101812	-	-	15.875	28.575	19.05	24.5	0.6	1930	2010	25000
19.05	BR 122012	-	-	19.05	31.75	19.05	26.5	1	2220	2490	20000
19.05	BR 122016	-	-	19.05	31.75	25.4	26.5	1	2810	3380	20000
22.225	BR 142212	-	-	22.225	34.925	19.05	29.7	1	2340	2770	18000
22.225	BR 142216	-	-	22.225	34.925	25.4	29.7	1	2970	3760	18000
25.4	BR 162412	-	-	25.4	38.1	19.05	32.9	1	2580	3250	16000
25.4	BR 162416	-	-	25.4	38.1	25.4	32.9	1	3280	4420	16000
28.575	BR 182616	-	-	28.575	41.275	25.4	36	1	3560	5090	14000
28.575	BR 182620	-	-	28.575	41.275	31.75	36	1	4410	6690	14000
31.75	BR 202816	-	-	31.75	44.45	25.4	39.2	1	3670	5450	13000
31.75	BR 202820	-	-	31.75	44.45	31.75	39.2	1	4550	7180	13000
34.925	BR 223016	-	-	34.925	47.625	25.4	42.4	1	3930	6120	11000
34.925	BR 223020	-	-	34.925	47.625	31.75	42.4	1	4870	8060	11000
38.1	BR 243316	-	-	38.1	52.388	35.4	45.1	1.5	4460	6820	11000
38.1	BR 243320	-	-	38.1	52.388	31.75	45.1	1.5	5530	8980	11000
41.275	BR 263516	-	-	41.275	55.562	25.4	48.3	1.5	4570	7230	9500
41.275	BR 263520	-	-	41.275	55.562	31.75	48.3	1.5	5670	9530	9500
44.45	BR 283716	-	-	44.45	58.738	25.4	51.5	1.5	4850	7980	9000
44.45	BR 283720	-	-	44.45	58.738	31.75	51.5	1.5	6010	10500	9000
44.45	BR 283820	-	-	44.45	60.325	31.75	53.1	1.5	6010	10500	9000
47.625	BR 303920	-	-	47.625	61.912	31.75	54.7	1.5	6130	11000	8500

50.8	BR 324116	-	-	50.8	65.088	25.4	57.8	1.5	5200	9110	8000
50.8	BR 324120	-	-	50.8	65.088	31.75	57.8	1.5	6440	12000	8000
57.15	BR 364824	-	-	57.15	76.2	38.1	69	1.5	9200	16100	7000
57.15	BR 364828	-	-	57.15	76.2	44.45	69	1.5	10700	19500	7000
63.5	BR 405224	-	-	63.5	82.55	38.1	74.3	2	9640	17700	6500
63.5	BR 405228	-	-	63.5	82.55	44.45	74.3	2	11200	21400	6500
69.85	BR 445624	-	-	69.85	88.9	38.1	80.7	2	10100	19300	5500
69.85	BR 445628	-	-	69.85	88.9	44.45	80.7	2	11700	23300	5500
76.2	BR 486024	-	-	76.2	95.25	38.1	87	2	10700	21600	5500
76.2	BR 486028	-	-	76.2	95.25	44.45	87	2	12400	26100	5500
82.55	BR 526828	-	-	82.55	107.95	44.45	99.7	2	14400	26400	5000
82.55	BR 526832	-	-	82.55	107.95	50.8	99.7	2	15700	29500	5000
88.9	BR 567232	-	-	88.9	114.3	50.8	106.1	2	16500	32100	4500
9.525	BRI 61812	-	-	15.875	28.575	19.05	24.5	0.6	1930	2010	25000
12.7	BRI 82012	-	-	19.05	31.75	19.05	26.5	1	2220	2490	20000
12.7	BRI 82016	-	-	19.05	31.75	25.4	26.5	1	2810	3380	20000
15.875	BRI 102212	-	-	22.225	34.925	19.05	29.7	1	2340	2770	18000
15.875	BRI 102216	-	-	22.225	34.925	25.4	29.7	1	2970	3760	18000
19.05	BRI 122412	-	-	25.4	38.1	19.05	32.9	1	2580	3250	16000
19.05	BRI 122416	-	-	25.4	38.1	25.4	32.9	1	3280	4420	16000
22.225	BRI 142616	-	-	28.575	41.275	25.4	36	1	3560	5090	14000
22.225	BRI 142620	-	-	28.575	41.275	31.75	36	1	4410	6690	14000
25.4	BRI 142620	-	-	31.75	44.45	25.4	39.2	1	3670	5450	13000
25.4	BRI 162816	-	-	31.75	44.45	31.75	39.2	1	4550	7180	13000
28.575	BRI 162820	-	-	34.925	47.625	25.4	42.4	1	3930	6120	11000
28.575	BRI 183020	-	-	34.925	47.625	31.75	42.4	1	4870	8060	11000
31.75	BRI 203316	-	-	38.1	52.388	25.4	45.1	1.5	4460	6820	11000
31.75	BRI 203320	-	-	38.1	52.388	31.75	45.1	1.5	5530	8980	11000
34.925	BRI 223516	-	-	41.275	55.562	25.4	48.3	1.5	4570	7230	9500
34.925	BRI 223520	-	-	41.275	55.562	31.75	48.3	1.5	5670	9530	9500
38.1	BRI 243716	-	-	44.45	58.738	25.4	51.5	15	4850	7980	9000
38.1	BRI 243720	-	-	44.45	58.738	31.75	51.5	1.5	6010	10500	9000

38.1	BRI 243820	-	-	44.45	60.325	31.75	53.1	1.5	6010	10500	9000
38.1	BRI 243920	-	-	47.625	31.912	31.75	54.7	1.5	6130	11000	8500
50.8	BRI 264116	-	-	50.8	65.088	25.4	57.8	1.5	5200	9110	8000
50.8	BRI 264120	-	-	50.8	65.088	31.75	57.8	1.5	6440	12000	8000
44.45	BRI 284824	-	-	57.15	76.2	38.1	69	1.5	9200	16100	7000
44.45	BRI 284828	-	-	57.15	76.2	44.45	69	1.5	10700	19500	7000
50.8	BRI 325224	-	-	63.5	82.55	38.1	74.3	2	9640	17700	6500
50.8	BRI 325228	-	-	63.5	82.55	44.45	74.3	2	11200	21400	6500
57.15	BRI 365624	-	-	69.85	88.9	38.1	80.7	2	10100	19300	5500
57.15	BRI 365628	-	-	69.85	88.9	44.45	80.7	2	11700	23300	5500
63.5	BRI 406024	-	-	76.2	95.25	38.1	87	2	10700	21600	5500
63.5	BRI 406028	-	-	76.2	95.25	44.45	87	2	12400	26100	5500
69.85	BRI 446828	-	-	82.55	107.95	44.45	99.7	2	14400	26400	5000
69.85	BRI 446832	-	-	82.55	107.95	50.8	99.7	2	15700	29500	5000
76.2	BRI 487232	-	-	88.9	114.3	50.8	106.1	2	16500	32100	4500
82.55	BRI 527632	-	-	95.25	120.65	50.8	111.4	2.5	17200	34900	4000
88.9	BRI 568032	-	-	101.6	127	50.8	111.4	2.5	18000	37500	4000

www.motnbearing.com