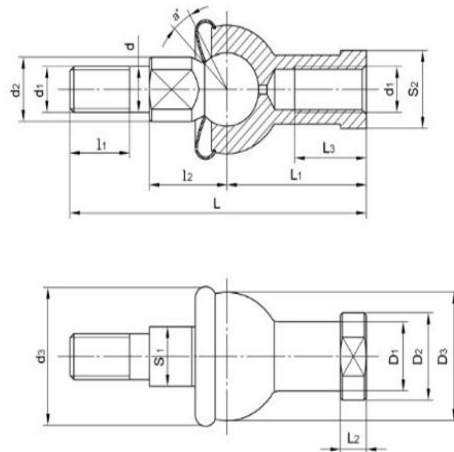


A rod end bearing, also known as a heim joint (N. America) or rose joint (U.K. and elsewhere), is a mechanical articulating joint. Such joints are used on the ends of control rods, steering links, tie rods, or anywhere a precision articulating joint is required, and where a clevis end (which requires perfect 90 degree alignment between the attached shaft and the second component) is unsuitable. A ball swivel with an opening through which a bolt or other attaching hardware may pass is pressed into a circular casing with a threaded shaft attached. The threaded portion may be either male or female. The heim joint's advantage is that the ball insert permits the rod or bolt passing through it to be misaligned to a limited degree (an angle other than 90 degrees). A link terminated in two heim joints permits misalignment of their attached shafts (viz., other than 180 degrees) when used in tension. When used in compression, the through-rods are forced to the extreme ends of their ball's misalignment range, which cocks the link at an oblique angle.

Rod end bearing:Ball Joint



Ball: Gcr15 Steel;
Body: Zinc alloy;
stud: Carbon steel, black oxidized;
Sliding contact surfaces:
 Steel/Zinc base alloy



Motion(shanghai)Industrial Development Co.,Ltd

Part No.	Dimensions(mm)															Static	a°	weight
																Load	mis.	≈ kg
	KN	angle																
	d	d3-6g	d2	d3	l1	l2	S1	L	L1	L2	L3	D1	D2	D3	S2	ratings		
SQZ5-RS	5	M5	9	19	8	11	7	46	24	4	12	9	11	17	9	2.8	15	0.025
SQZ6-RS	6	M6	10	20	11	12.2	8	55.2	28	5	15	10	13	20	11	3.7	15	0.041
SQZ8-RS	8	M8	12	24	12	16	10	65	32	5	16	12.5	16	24	14	5.8	15	0.075
SQZ10-RS	10	M10x1.2	14	30	15	19.5	11	74.5	35	6.5	18	15	19	28	17	8.4	15	0.12
SQZ12-RS	12	M12x1.2	17	32	17	21	15	84	40	6.5	20	17.5	22	32	19	11	15	0.18
SQZ14-RS	14	M14x1.5	19	38	22	23.5	17	103	45	8	25	20	25	36	22	15	11	0.27
SQZ16-RS	16	M16x1.5	22	44	23	25.5	19	112	50	8	27	22	27	40	22	15	11	0.36
SQZ18-RS	18	M18x1.5	23	45	25	31	20	130.5	58	10	32	25	31	45	27	19	11	0.54
SQZ20-RS	20	M20x1.5	27	50	25	29	24	133	63	10	38	27.5	34	45	30	19	7.5	0.57
SQZ22-RS	22	M22x1.5	27	52	26	33	24	145	70	12	43	30	37	50	32	23	7.5	0.76

www.motnbearing.com