

Spherical Plain Bearings are manufactured in a wide variety of materials and are designed to offer bearing solutions in almost any operating environment. LS Bearings offers a complete line of Spherical Plain Bearings available in inch and metric.

These High-Quality Spherical Plain Bearings are widely used in Engineering Machinery, Aerospace Field, Aviation/, New energy engineering, Hydropower Project, Metallurgical Machinery, Port Machinery, Rail transport, Architecture, Scientific research equipment, food machinery and so on.

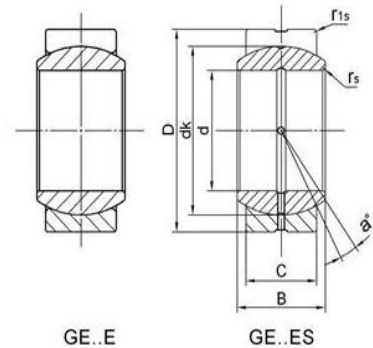
Spherical plain bearing: GE-E Series



Inner Race: Gcr15 Steel, hardened HRC 58-64, surface phosphated.

Outer Race: Gcr15 Steel, hardened HRC 54-60, surface phosphated.

Sliding contact surfaces: Steel/Steel



Motion(shanghai)Industrial Development Co.,Ltd

Part No.	Dimensions(mm/inch)							Load ratings		a°	weight
								KN			
	d	D	B	c	dk	rs	r1s	Dynamic	Static		
GE4E	4	12	5	3	8	0.3	0.3	2	10	16	0.003
GE5E	5	14	6	4	10	0.3	0.3	3.4	17	13	0.005
GE6E	6	14	6	4	10	0.3	0.3	3.4	17	13	0.004
GE8E	8	16	8	5	13	0.3	0.3	5.5	27	15	0.008
GE10E	10	19	9	6	16	0.3	0.3	8.1	40	12	0.011
GE12E	12	22	10	7	18	0.3	0.3	10	53	10	0.015

www.motnbearing.com