

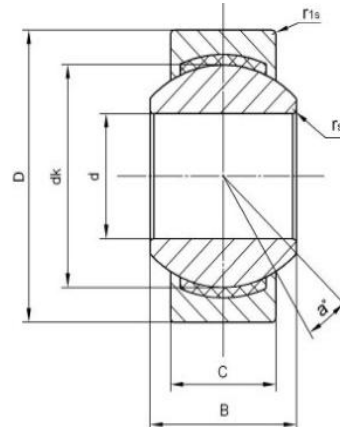
Spherical Plain Bearings are manufactured in a wide variety of materials and are designed to offer bearing solutions in almost any operating environment. LS Bearings offers a complete line of Spherical Plain Bearings available in inch and metric.

These High-Quality Spherical Plain Bearings are widely used in Engineering Machinery, Aerospace Field, Aviation, New energy engineering, Hydropower Project, Metallurgical Machinery, Port Machinery, Rail transport, Architecture, Scientific research equipment, food machinery and so on.

Spherical plain bearing: GEG-C Series



Ball: Gcr15 Steel, hardened HRC 58-64, Precision ground, hard chrome plated.
Outer Race: Carbon Steel with PTFE composite.
Sliding contact surfaces: Steel/PTFE composite.



Motion(shanghai)Industrial Development Co.,Ltd

Part No.	Dimensions(mm)							Load ratings		a°	weight
	d	D	B	c	dk	rs	r1s min	KN		≈	≈kg
								Dynamic	Static		
GEG4C	4	14	7	4	10	0.3	0.3	3.6	9.1	20	0.005
GEG5C	5	16	9	5	13	0.3	0.3	5.8	14	21	0.008
GEG6C	6	16	9	5	13	0.3	0.3	5.8	14	21	0.006
GEG8C	8	19	11	6	16	0.3	0.3	8.6	21	21	0.014
GEG10C	10	22	12	7	18	0.3	0.3	11	28	18	0.021
GEG12C	12	26	15	9	22	0.3	0.3	18	45	18	0.033
GEG15C	15	30	16	10	25	0.3	0.3	22	56	16	0.049
GEG17C	17	35	20	12	29	0.3	0.3	31	78	19	0.083
GEG20C	20	42	25	16	35.5	0.3	0.3	51	127	17	0.153
GEG25C	25	47	28	18	40.7	0.6	0.6	65	166	17	0.203
GEG30C	30	55	32	20	47	0.6	0.6	83	212	17	0.304

www.motnbearing.com