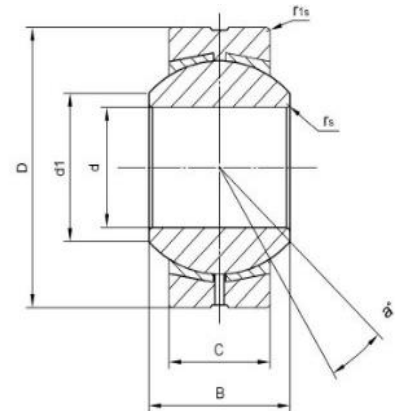


Spherical Plain Bearings are manufactured in a wide variety of materials and are designed to offer bearing solutions in almost any operating environment. LS Bearings offers a complete line of Spherical Plain Bearings available in inch and metric. These High-Quality Spherical Plain Bearings are widely used in Engineering Machinery, Aerospace Field, Aviation, New energy engineering, Hydropower Project, Metallurgical Machinery, Port Machinery, Rail transport, Architecture, Scientific research equipment, food machinery and so on.

Spherical plain bearing: GEBK-S Series



Ball: Gcr15 Steel, hardened HRC 58-64, Precision ground, hard chrome plated.
Race: Brass.
Outer Race: Carbon steel
Sliding contact surfaces: Steel/Brass.



Motion(shanghai)Industrial Development Co.,Ltd

Part No.	Dimensions(mm)							Load ratings		a° ≈	weight ≈kg
								KN			
	d	D	B	c	dk	rs	r1s	Dynamic	Static		
GEBK5S	5	16	8	6	11.112	0.3	0.3	3.3	7.8	13	0.009
GEBK6S	6	18	9	6.75	12.7	0.3	0.3	4.3	9.8	13	0.013
GEBK8S	8	22	12	9	15.88	0.3	0.3	6.8	16	14	0.024
GEBK10S	10	26	14	10.5	19.05	0.3	0.6	10	23	14	0.039
GEBK12S	12	30	16	12	22.23	0.3	0.6	13	31	13	0.058
GEBK14S	14	34	19	13.5	25.4	0.3	0.6	17	40	16	0.084
GEBK16S	16	38	21	15	28.58	0.3	0.6	21	50	15	0.111
GEBK18S	18	42	23	16.5	31.75	0.6	0.6	26	61	15	0.16
GEBK20S	20	46	25	18	34.93	0.6	0.6	31	73	15	0.21
GEBK22S	22	50	28	20	38.1	0.6	0.6	38	88	15	0.26
GEBK25S	25	56	31	22	42.86	0.6	0.6	47	110	15	0.39
GEBK28S	28	62	35	25	47.63	0.6	0.6	59	138	15	0.53
GEBK30S	30	66	37	25	50.8	0.6	0.6	63	148	17	0.61

www.motnbearing.com