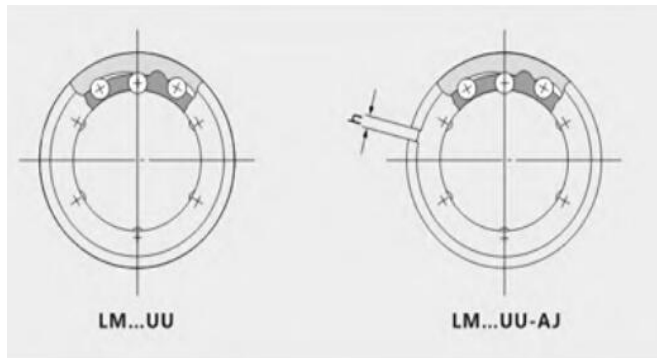


Considered by many to be the default choice for linear motion applications, the round shaft reticulating linear ball bearing pillow block is a tried and tested option suitable for most linear motion applications. This is the closed, single length, imperial (inch) version. The closed bearing design allows for a lower cost installation by using end supported shafts. These pillow block bearings are most commonly found in North America and the UK. It is size interchangeable with other manufacturers and with PBC's Simplicity bearings.

- ID sizes range from 1/4" to 2"
- Static Load Capacities up to 1700 lb (7900 N)
- Dynamic Load Capacities up to 850 lb (3800 N)
- Size Interchangeable with industry standards & with "Simplicity" series
- Low Coefficient of Friction
- Heat treated alloy steel shell
- Resin retainer for reduced noise
- Good temperature range: -4/ 176F (-20/ 80C)
- Double Seals included standard – no additional cost!

Linear motion ball bearing: LM...UU Series



Motion(shanghai)Industrial Development Co.,Ltd

Nominal shaft	Resin retainer								
	LM...UU	Ball circuit	Weight(gf)	LM...UU-AJ	Ball circuit	Weight(gf)	LM...UU-OP	Ball circuit	Weight(gf)
3	LM3UU	4	1.35						
4	LM4UU	4	1.9						
5	LM5UU	4	4						
6	LM6UU	4	7.6	LM6UU-AJ	4	7.5			
8	LM8SUU	4	10.4	LM8SUU-AJ	4	10			
8	LM8UU	4	15	LM8UU-AJ	4	14.7			
10	LM10UU	4	29.5	LM10UU-AJ	4	29	LM10UU-OP	3	23
12	LM12UU	4	31.5	LM12UU-AJ	4	31	LM12UU-OP	3	25
13	LM13UU	4	43	LM13UU-AJ	4	42	LM13UU-OP	3	34
16	LM16UU	5	69	LM16UU-AJ	5	68	LM16UU-OP	4	52
20	LM20UU	5	87	LM20UU-AJ	5	85	LM20UU-OP	4	69
25	LM25UU	6	220	LM25UU-AJ	6	216	LM25UU-OP	5	188
30	LM30UU	6	250	LM30UU-AJ	6	245	LM30UU-OP	5	210
35	LM35UU	6	390	LM35UU-AJ	6	384	LM35UU-OP	5	335
40	LM40UU	6	585	LM40UU-AJ	6	579	LM40UU-OP	5	500
50	LM50UU	6	1580	LM50UU-AJ	6	1560	LM50UU-OP	5	1340
60	LM60UU	6	1860	LM60UU-AJ	6	1820	LM60UU-OP	5	1610
80	LM80UU	6	4420	LM80UU-AJ	6	4300	LM80UU-OP	5	3650
100	LM100UU	6	8600	LM100UU-AJ	6	8540	LM100UU-OP	5	7200
120	LM120UU	8	15000	LM120UU-AJ	8	14900	LM120UU-OP	6	11600
150	LM150UU	8	20250	LM150UU-AJ	8	20150	LM150UU-OP	6	15700

www.motnbearing.com