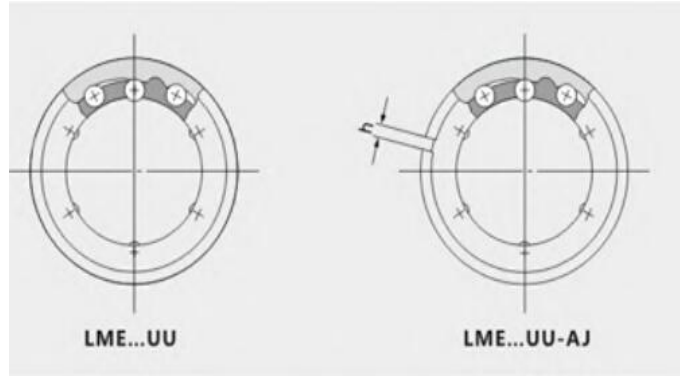


Considered by many to be the default choice for linear motion applications, the round shaft reticulating linear ball bearing pillow block is a tried and tested option suitable for most linear motion applications. This is the closed, single length, imperial (inch) version. The closed bearing design allows for a lower cost installation by using end supported shafts. These pillow block bearings are most commonly found in North America and the UK. It is size interchangeable with other manufacturers and with PBC's Simplicity bearings.

- ID sizes range from 1/4" to 2"
- Static Load Capacities up to 1700 lb (7900 N)
- Dynamic Load Capacities up to 850 lb (3800 N)
- Size Interchangeable with industry standards & with "Simplicity" series
- Low Coefficient of Friction
- Heat treated alloy steel shell
- Resin retainer for reduced noise
- Good temperature range: -4/ 176F (-20/ 80C)
- Double Seals included standard – no additional cost!

Linear motion ball bearing: LME...UU Series



Motion(shanghai)Industrial Development Co.,Ltd

Nominal shaft diameter (mm)	Resin retainer								
	LME...UU	Ball circuit	Weight(gf)	LME...UU-AJ	Ball circuit	Weight(gf)	LME...UU-OP	Ball circuit	Weight(gf)
3	LME3UU	4	1.35						
4	LME4UU	4	1.9						
5	LME5UU	4	11	LME5UU-AJ	4	10			
8	LME8UU	4	20	LME8UU-AJ	4	19.5			
10	LME10UU	4	29.5	LME10UU-AJ	4	29	LME10UU-	3	23
12	LME12UU	4	41	LME12UU-AJ	4	40	LME12UU-	3	32
16	LME16UU	5	57	LME16UU-AJ	5	56	LME16UU-	4	44
20	LME20UU	5	91	LME20UU-AJ	5	90	LME20UU-	4	75
25	LME25UU	6	215	LME25UU-AJ	6	212	LME25UU-	5	181
30	LME30UU	6	325	LME30UU-AJ	6	320	LME30UU-	5	272
40	LME40UU	6	705	LME40UU-AJ	6	694	LME40UU-	5	600
50	LME50UU	6	1130	LME50UU-AJ	6	1110	LME50UU-	5	970
60	LME60UU	6	2000	LME60UU-AJ	6	2050	LME60UU-	5	1580

www.motnbearing.com