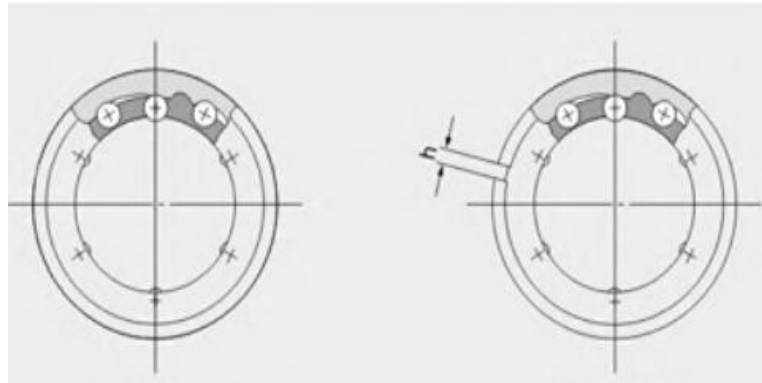


Considered by many to be the default choice for linear motion applications, the round shaft reticulating linear ball bearing pillow block is a tried and tested option suitable for most linear motion applications. This is the closed, single length, imperial (inch) version. The closed bearing design allows for a lower cost installation by using end supported shafts. These pillow block bearings are most commonly found in North America and the UK. It is size interchangeable with other manufacturers and with PBC's Simplicity bearings.

ID sizes range from 1/4" to 2"
 Static Load Capacities up to 1700 lb (7900 N)
 Dynamic Load Capacities up to 850 lb (3800 N)
 Size Interchangeable with industry standards & with "Simplicity" series
 Low Coefficient of Friction
 Heat treated alloy steel shell
 Resin retainer for reduced noise
 Good temperature range: -4/ 176F (-20/ 80C)
 Double Seals included standard – no additional cost!

Linear motion ball bearing: KH...PP Series



Motion(shanghai)Industrial Development Co.,Ltd

Designation	Major dimension			Basic load rating		Weight (gf)
	d	D	B	Dynamic	Static Co N	
KH0622PP	6	12	22	400	239	7
KH0824PP	8	15	24	435	280	12
KH1026PP	10	17	26	500	370	14.5
KH1228PP	12	19	28	620	510	18.5
KH1428PP	14	21	28	620	520	20.5
KH1630PP	16	24	30	800	620	27.5
KH2030PP	20	28	30	950	790	32.5
KH2540PP	25	35	40	1990	1670	66
KH3050PP	30	40	50	2800	2700	95
KH4060PP	40	52	60	4400	4450	182
KH5070PP	50	62	70	5500	6300	252

www.motnbearing.com