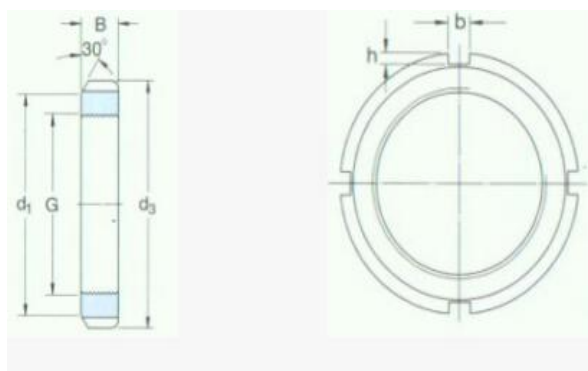


Lock Nut are used All kinds of cars, machinery, home appliance, electronic products, electric appliance, stationery, computers, power switches, miniature switches, architecture, commodity and A/V equipment, hardware and plastic molds, sports equipment and gifts, and more

Lock Nut: KM(L) lock nut with lock washer



Motion(shanghai)Industrial Development Co.,Ltd

Dimensions						Nuts required for dismounti ng Sta	Weight kg	Designation		
G	d ₁	d ₃	B	b	h			Lock nut	Locking washer	Hook spanners
mm						kN	kg	-		
M 10×0,75	13,5	18	4	3	2	9,8	0,004	KM0	MB0	-
M 12×1	17	22	4	3	2	11,8	0,006	KM1	MB1	HN1
M 15×1	21	25	5	4	2	14,6	0,009	KM2	MB2	HN2
M 17×1	24	28	5	4	2	19,6	0,012	KM3	MB3	HN3
M 20×1	26	32	6	4	2	24	0,025	KM4	MB4	HN4
M 25×1,5	32	38	7	5	2	31,5	0,028	KM5	MB5	HN5
M 30×1,5	38	45	7	5	2	36,5	0,039	KM6	MB6	HN6
M 35×1,5	44	52	8	5	2	50	0,059	KM7	MB7	HN7
M 40×1,5	50	58	9	6	2,5	62	0,078	KM8	MB8	HN8
M 45×1,5	56	65	10	6	2,5	78	0,11	KM9	MB9	HN9
M 50×1,5	61	70	11	6	2,5	91,5	0,14	KM10	MB10	HN10
M 55×2	67	75	11	7	3	91,5	0,15	KM11	MB11	HN11
M 60×2	73	80	11	7	3	95	0,16	KM12	MB12	HN12
M 65×2	79	85	12	7	3	108	0,19	KM13	MB13	HN13
M 70×2	85	92	12	8	3,5	118	0,23	KM14	MB14	HN14
M 75×2	90	98	13	8	3,5	134	0,27	KM15	MB15	HN15
M 80×2	95	105	15	8	3,5	173	0,36	KM16	MB16	HN16
M 85×2	102	110	16	8	3,5	190	0,41	KM17	MB17	HN17
M 90×2	108	120	16	10	4	216	0,51	KM18	MB18	HN18
M 95×2	113	125	17	10	4	236	0,55	KM19	MB19	HN19
M 100×2	120	130	18	10	4	255	0,64	KM20	MB20	HN20
M 105×2	126	140	18	12	5	290	0,79	KM21	MB21	HN21
M 110×2	133	145	19	12	5	310	0,87	KM22	MB22	HN22
M 115×2	137	150	19	12	5	315	0,91	KM23	MB23	TMFN23-30
M 120×2	135	145	20	12	5	265	0,69	KML24	MBL24	TMFN23-30
M 120×2	138	155	20	12	5	340	0,97	KM24	MB24	TMFN23-30

M 125×2	148	160	21	12	5	360	1, 09	KM25	MB25	TMFN23-30
M 130×2	145	155	21	12	5	285	0, 80	KML26	MBL26	TMFN23-30
M 130×2	149	165	21	12	5	365	1, 09	KM26	MB26	TMFN23-30
M 135×2	160	175	22	14	6	430	1, 39	KM27	MB27	TMFN23-30
M 140×2	155	165	22	12	5	305	0, 92	KML28	MBL28	TMFN23-30
M 140×2	160	180	22	14	6	430	1, 40	KM28	MB28	TMFN23-30
M 145×2	171	190	24	14	6	520	1, 80	KM29	MB29	TMFN23-30
M 150×2	170	180	24	14	5	390	1, 25	KML30	MBL30	TMFN23-30
M 150×2	171	195	24	14	6	530	1, 88	KM30	MB30	TMFN23-30
M 155×3	182	200	25	16	7	540	2, 09	KM31	MB31	TMFN30-40
M 160×3	180	190	25	14	5	405	1, 39	KML32	MBL32	TMFN23-30
M 160×3	182	210	25	16	7	585	2, 29	KM32	MB32	TMFN30-40
M 165×3	193	210	26	16	7	570	2, 31	KM33	MB33	TMFN30-40
M 170×3	190	200	26	16	5	430	1, 56	KML34	MBL34	TMFN30-40
M 170×3	193	220	26	16	7	620	2, 34	KM34	MB34	TMFN30-40
M 180×3	200	210	27	16	5	450	1, 78	KML36	MBL36	TMFN30-40
M 180×3	203	230	27	18	8	670	2, 78	KM36	MB36	TMFN30-40
M 190×3	210	220	28	16	5	475	1, 84	KML38	MBL38	TMFN30-40
M 190×3	214	240	28	18	8	695	3, 05	KM38	MB38	TMFN30-40
M 200×3	222	240	29	18	8	625	2, 61	KML40	MBL40	TMFN30-40
M 200×3	226	250	29	18	8	735	3, 37	KM40	MB40	TMFN30-40

www.motnbearing.com