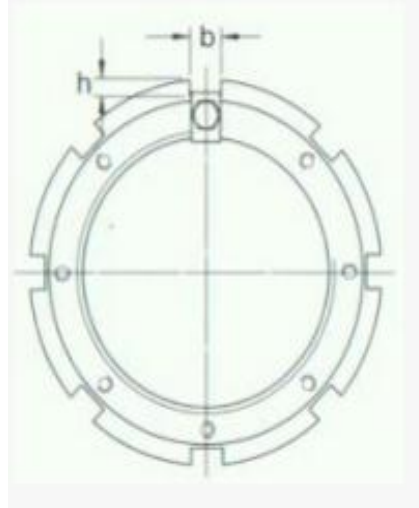


Lock Nut are used All kinds of cars, machinery, home appliance, electronic products, electric appliance, stationery, computers, power switches, miniature switches, architecture, commodity and A/V equipment, hardware and plastic molds, sports equipment and gifts, and more

HM lock nut with locking pin



Motion(shanghai)Industrial Development Co.,Ltd

Dimensions									Weight	Designation		
G	d ₁	d ₂	d ₃	B	B ₁	B ₂	b	h		Lock nut without	locking clip	Appropriate hook
mm									kg	-		
Tr 220×4	242	229	260	30	41	-	20	9	2,75	HM3044	MS3044	TMFN40-52
Tr 240×4	270	253	290	34	46		20	10	4,50	HM3048	MS3052-48	TMFN40-52

Tr 240×4	270	253	290	34	46	5	20	10	4, 50	HME3048	MS3052-48	TMFN40-52
Tr 260×4	290	273	310	34	46	-	20	10	4, 80	HM3052	MS3052-48	TMFN40-52
Tr 280×4	310	293	330	38	50	-	24	10	5, 75	HM3056	MS3056	TMFN52-64
Tr 300×4	336	316	360	42	54	-	24	12	8, 35	HM3060	MS3060	TMFN52-64
Tr 300×4	340	326	380	40	53	-	24	12	11, 5	HM3160	MS3160	TMFN52-64
Tr 320×5	356	336	380	42	55	-	24	12	9, 00	HM3064	MS3068-64	TMFN52-64
Tr 320×5	360	346	400	42	56	-	24	12	13, 0	HM3164	MS3164	TMFN52-64
Tr 340×5	376	356	400	45	58	-	24	12	11, 0	HM3068	MS3068-64	TMFN52-64
Tr 340×5	400	373	440	55	72	-	28	15	24, 0	HM3168	MS3172-68	TMFN64-80
Tr 360×5	394	375	420	45	58	-	28	13	11, 5	HM3072	MS3072	TMFN64-80
Tr 360×5	420	393	460	58	75	-	28	15	26, 5	HM3172	MS3172-68	TMFN64-80
Tr 380×5	422	399	450	48	62	-	28	14	15, 0	HM3076	MS3080-76	TMFN64-80
Tr 380×5	440	415	490	60	77	-	32	18	32, 0	HM3176	MS3176	TMFN64-80
Tr 400×5	442	419	470	52	66	-	28	14	17, 0	HM3080	MS3080-76	TMFN64-80
Tr 400×5	460	440	520	62	82	-	32	18	38, 0	HM3180	MS3184-80	TMFN64-80
Tr 420×5	462	439	490	52	66	-	32	14	18, 5	HM3084	MS3084	TMFN64-80
Tr 420×5	462	439	490	52	66	5	32	14	18, 5	HME3084	MS3084	TMFN64-80
Tr 420×5	490	460	540	70	90	-	32	18	45, 0	HM3184	MS3184-80	TMFN80-500
Tr 440×5	490	463	520	60	77	-	32	15	26, 0	HM3088	MS3092-88	TMFN64-80
Tr 440×5	510	478	560	70	90	-	36	20	46, 5	HM3188	MS3192-88	TMFN80-500
Tr 460×5	510	483	540	60	77	-	32	15	27, 0	HM3092	MS3092-88	TMFN80-500
Tr 460×5	540	498	580	75	95	-	36	20	50, 5	HM3192	MS3192-88	TMFN80-500
Tr 480×5	530	503	560	60	77	-	36	15	28, 0	HM3096	MS30/500-96	TMFN80-500
Tr 480×5	560	528	620	75	95	-	36	20	62, 0	HM3196	MS3196	TMFN80-500
Tr 500×5	550	523	580	68	85	-	36	15	33, 5	HM30/500	MS30/500-96	TMFN80-500
Tr 500×5	550	523	580	68	85	-	36	15	33, 5	HME30/500	MS30/500-96	TMFN80-500
Tr 500×5	580	540	630	80	100	-	40	23	63, 5	HM31/500	MS31/500	TMFN80-500
Tr 530×6	590	558	630	68	90	-	40	20	42, 5	HM30/530	MS30/600-530	TMFN500-600
Tr 530×6	610	575	670	80	105	-	40	23	71, 5	HM31/530	MS31/530	TMFN500-600
Tr 560×6	610	583	650	75	97	-	40	20	44, 5	HM30/560	MS30/560	TMFN500-600
Tr 560×6	610	583	650	75	97	12	40	20	44, 5	HME30/560	MS30/560	TMFN500-600
Tr 560×6	650	608	710	85	110	-	45	25	86, 5	HM31/560	MS31/600-560	TMFN500-600
Tr 600×6	660	628	700	75	97	-	40	20	52, 5	HM30/600	MS30/600-530	TMFN500-600

Tr 600×6	660	628	700	75	97	12	40	20	52,5	HME30/600	MS30/600-530	TMFN500-600
Tr 600×6	690	648	750	85	110	-	45	25	91,5	HM31/600	MS31/600-560	TMFN500-600
Tr 630×6	690	658	730	75	97	-	45	20	55,0	HM30/630	MS30/630	TMFN500-600
Tr 630×6	730	685	800	95	120	-	50	28	125	HM31/630	MS31/630	TMFN600-750
Tr 670×6	740	703	780	80	102	-	45	20	68,5	HM30/670	MS30/670	TMFN600-750
Tr 670×6	775	730	850	106	131	-	50	28	155	HM31/670	MS31/670	TMFN600-750
Tr 710×7	780	742	830	90	112	-	50	25	91,5	HM30/710	MS30/710	TMFN600-750
Tr 710×7	780	742	830	90	112	12	50	25	91,5	HME30/710	MS30/710	TMFN600-750
Tr 710×7	825	772	900	106	133	-	55	30	162	HM31/710	MS31/710	TMFN600-750
Tr 750×7	820	782	870	90	112	-	55	25	94,0	HM30/750	MS30/800-750	TMFN600-750
Tr 750×7	820	782	870	90	112	12	55	25	94,0	HME30/750	MS30/800-750	TMFN600-750
Tr 750×7	875	813	950	112	139	-	60	34	190	HM31/750	MS31/800-750	TMFN600-750
Tr 800×7	870	832	920	90	112	-	55	25	99,5	HM30/800	MS30/800-750	TMFN600-750
Tr 800×7	925	863	1000	112	139	-	60	34	202	HM31/800	MS31/800-750	-
Tr 850×7	925	887	980	90	115	-	60	25	115	HM30/850	MS30/900-850	-
Tr 850×7	925	887	980	90	115	12	60	25	110	HME30/850	MS30/900-850	-
Tr 850×7	975	914	1060	118	145	-	70	38	234	HM31/850	MS31/850	-
Tr 900×7	975	937	1030	100	125	-	60	25	131	HM30/900	MS30/900-850	-
Tr 900×7	1030	969	1120	125	154	-	70	38	280	HM31/900	MS31/900	-
Tr 950×8	1025	985	1080	100	125	-	60	25	139	HM30/950	MS30/950	-

www.motnbearing.com