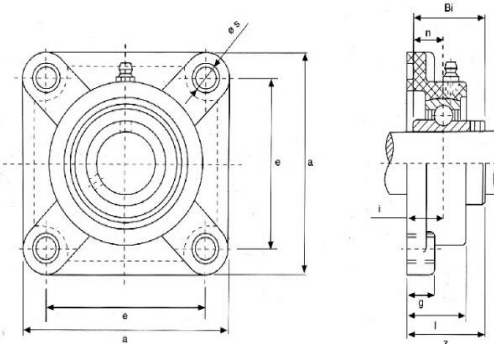


Plastic pillow block housing bearing is widely used in food machines, equipments, etc. the material used on the power transmission parts for application of the food machinery, refrigeration equipment, medical machinery etc have also been further improved: anti-bacterial, acid and alkali-resistant, washable (rust-resistance),

Inserted units with plastic housing: UCFPL200 Series



Motion(shanghai)Industrial Development Co.,Ltd

Type	Bore Dia		Dimensions(mm)									Housing Weight(Kg)	Bull.fiss. Bolt Size	
	d		a	e	g	l	s	z	i	Bi	n			
	in	mm												
UCFPL201	1/2		12	86	63.5	13.4	27.8	11	36.3	18	31	12.7	0.12	M10
UCFPL202	9/16	5/8	15	86	63.5	13.4	27.8	11	36.3	18	31	12.7	0.12	M10
UCFPL203	11/16		17	86	63.5	13.4	27.8	11	36.3	18	31	12.7	0.12	M10
UCFPL204	3/4		20	86	63.5	13.4	27.8	11	36.3	18	31	12.7	0.12	M10
UCFPL205	13/16	7/8	25	95	70	14	28	11	36.7	17	34	14.3	0.15	M10
UCFPL206	1-1/16	1-1/8	30	107	83	14.3	31.5	11	41.4	19.2	38.1	15.9	0.18	M10
UCFPL207	1-1/4	1-5/16	35	118	92	15.5	34.8	13	46.9	21.5	42.9	17.5	0.26	M12
UCFPL208	1-1/2	1-9/16	40	130	102	17	37.5	14	53.2	23	49.2	19	0.33	M12
UCFPL209	1-5/8	1-11/16	45	137	105	19	41	17	54.2	24	49.2	19	0.42	M16
UCFPL210	1-13/16	1-7/8	50	143	111	21	43	17	57.6	25	51.6	19	0.51	M16

www.motnbearing.com