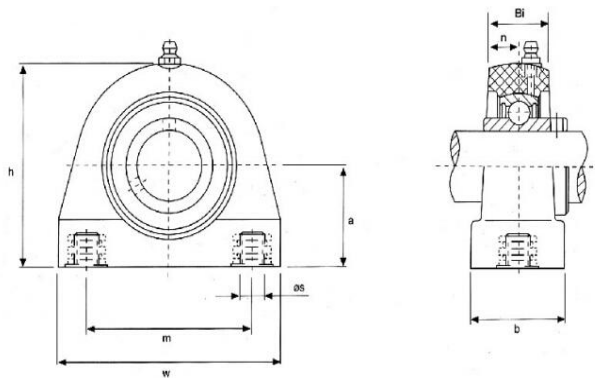


Plastic pillow block housing bearing is widely used in food machines, equipments, etc. the material used on the power transmission parts for application of the food machinery, refrigeration equipment, medical machinery etc have also been further improved: anti-bacterial, acid and alkali-resistant, washable (rust-resistance),

Inserted units with plastic housing: UCPAPL200 Series



Motion(shanghai)Industrial Development Co.,Ltd

Type	Bore Dia		Dimensions(mm)							Housing Weight(Kg)	Bull.fiss. Bolt Size
	d		a	b	h	m	w	Bi	n		
	in	mm									
UCPAPL201	1/2	12	33.3	34.5	66	50.8	72.8	31	12.7	0.13	M8
UCPAPL202	9/16 5/8	15	33.3	34.5	66	50.8	72.8	31	12.7	0.13	M8
UCPAPL203	11/16	17	33.3	34.5	66	50.8	72.8	31	12.7	0.13	M8
UCPAPL204	3/4	20	33.3	34.5	66	50.8	72.8	31	12.7	0.13	M8
UCPAPL205	13/16 7/8 15/16 1	25	36.5	39.5	73.5	50.8	76.2	34	14.3	0.15	M10
UCPAPL206	1-1/16 1-1/8 1-3/16 1-	30	42.9	42.5	84	76.2	101	38.1	15.9	0.24	M10
UCPAPL207	1-1/4 1-5/16 1-3/8 1-	35	47.6	47.5	95	82.6	110	42.9	17.5	0.28	M10
UCPAPL208	1-1/2 1-9/16	40	49.2	48	100.5	88.9	120	49.2	19	0.33	M12
UCPAPL209	1-5/8 1-11/16 1-3/4	45	54	54	107	95.3	124	49.2	19	0.42	M12
UCPAPL210	1-13/16 1-7/8 1-15/16	50	57.2	54	115	101.6	135	51.6	19	0.51	M16

www.motnbearing.com