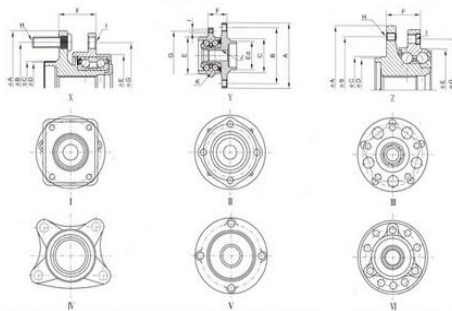


Auto Wheel Bearing Kit is available for cars. Wheel hub bearing kit is widely used in series of cars, such as VW, AUDI, SKODA, SEAT

Wheel Hub Kits



Motion(shanghai)Industrial Development Co.,Ltd

Bearing No	d	F	B	E1	E2	M	G	K	I	H	J	Hole/Bolt	APLCTN
TGB12095S43	25	132.5	43	60	65.9	54	100	--	55.6	19.5	13	4*M12*15	Renault
TGB12095S49	25	132.5	43	60	65.9	54	100	75.5	61.8	19.5	12.5	4*M12.1*1.5	Renault
512025	27	125	51.5	59	67.9	52	100	69	51.5	15	9	4*M12*1.25	NISSAN
801191(G1)	28	120	42	57	65	52	100	--	44.5	11.5	20	4*M12*1.75	VW
DACF1083CR	30	117	37	57.9	58.9	47	98	--	44.8	16.92	12	4*M12*1.25	FIAT
633622-1	30	116	37	58	59	47	98	--	47	16.8	12	4*m12*1.25	FIAT
BAFB633807D	30	117	37	57.9	58.9	51.8	98	66.8	44.8	16.92	12	4*M12*1.25	FIAT
DACF1083CR-1	30	117	37	57.9	58.9	46.85	98	--	44.8	16.92	11	4*M12*1.25	FIAT
633622	30	117	37	57.9	58.9	51.9	98	--	44.8	16.92	10.5	4*M12*1.25	FIAT
633622-2	30	116	37	58	59	46.8	98	--	45	19.5	11.2	4*M12*1.25	FIAT
633622-3	30	116	37	58	59	46.8	98	--	45	19.5	11.2	4*M12*1.25	FIAT
513030	30	122	47	54	55	48	100	65	56.2	19.5	12.5	4*M12*1.5	FORD
IR-8688	32	129	38	65	71	60	108	--	43.6	17	12	4*M12*1.25	Renault
803199A	25	120	37	57	65	52	100	61	42.5	19	10	4*M12*1.25	VW
TKR8578	25	128	34	64.9	71	60	108	--	42	16	12.5	4*M12*1.25	Peugeot, Citroen
TKR8569	25	132.5	43	60	65.9	54	100	--	54.5	19.5	11.5	4*M12*1.5	--
HUB002	25	134	40	56	61	51	100/93.5	60	49.5	11.5	9	4*M12*1.5	HONDA
TGB12096S41	25	133	43	60	66	54.2	108/105	--	54	13	19.2	5*M12*1.5	Renault
HUB048-35ABS	27	134	40	59	61	50	100	62	45	15	11	4*M12*1.25	VW
HUB184	27	134	50	58.9	68	52	100	64.05	52.5	15	11	4*M12*1.25	NISSAN
HUB184ABS	27	134	50	58.9	68	52	100	64.05	52.5	15	11	4*M12*1.25	NISSAN
(N16)HUB184	27	148	50	65.9	67.9	59	114.3	64	52.5	15.5	11.5	4*M12*1.25	NISSAN
(N16)HUB184ABS	27	148	50	65.9	67.9	59	114.3	64	52.5	15.5	11.5	4*M12*1.25	NISSAN
27BWK03	27	148	55	66	68	52	114.3	60	57.4	15.6	11.7	4*M12*1.25	NISSAN
35016	28	120	40	60	--	47	100	63	49.5	6	9	4*M12*1.25	长安之星
28BWK15	28	120	40	60	--	47	100	63	49.5	6	9	4*M12*1.25	SUZUKI
57210-25000	28	140	38	54	62.5	47.7	100	70	50.5	14	10	4*M12*1.5	HYUNDAI
57210-25100	28	140	38	54	62.5	47.7	100	70	50.5	14	10	4*M12*1.5	HYUNDAI
DACF1050B	28	125.5	48	56	64	49.7	100	67.3	56.5	14	10	4*M12*1.5	Mitsubishi
512154	28	135.4	47	56.8	57.3	51.3	100	66	59	11.7	7.8	5*M12*1.5	CHRYSLER
BAF0058B	28	120	39	57	65	51.9	100	69.5	43.5	10.5	20	4*M12*1.5	VW
512023	28	135.3	40	56.8	57.3	50.2	100	66.5	52.5	10.4	8	4*M12*1.5	CHRYSLER
512167	28	135	48	56.8	57.3	51.3	100	66.5	57.5	10.3	8	4*M12*1.5	CHRYSLER
52710-29X	28	139	38	66.9	76	57.7	114.3	66.95	50.5	14	9	4*M12*1.5	HYUNDAI
52710-29450	28	139	38	66.9	76	57.7	114.3	66.95	50.5	14	9	4*M12*1.5	HYUNDAI
52710-29671	28	139	38	66.9	76	57.7	114.3	66.95	50.5	14	9	4*M12*1.5	HYUNDAI
52710-22400	28	139	38	66.9	90	57.7	114.3	70	50.5	14	9	4*M12*1.5	HYUNDAI
52710-22500	28	139	38	66.9	90	57.7	114.3	70	50.5	14	9	4*M12*1.5	HYUNDAI
52710-29400	28	139	38	66.9	76	57.7	114.3	70	50.5	14	9	4*M12*1.5	HYUNDAI
28BWK06	28	141	50.5	56		47.8	100	66.6	57	14	10.5	4*M12*1.5	CHAEDE
28BWK06	28	141	50.5	56			108	66.6	57	14	10.5	4*M12*1.5	CHAEDE
801191E	28	120	39	57	65	51.9	100	66.3	41.5	20	10.6	5*M14*1.5	VW
801191AD	28	120	39	57	65	51.9	100	66.3	41.5	20	10.6	5*M14*1.5	VW
28BWK08G	28	125.5	48	56	64	49.7	100	66.3	56.5	14	10	4*M12*1.5	MITSUBH
HUB254	28	130	40	54	58	48	100	67.3	59.5	16	10	4*M12*1.25	SUZUKI
HUB065-15	28	134	40	60	64	51	114.3	63	49.5	18	9	4*M12*1.25	SUZUKI
513050	28	134	40	56	61	51	100	63	49.5	11.5	9	4*M12*1.25	HONDA
HUB008	28	134	40	56	61	51	100	62.5	49.5	11.5	9	4*M12*1.5	HONDA
HUB008-72	28	134	40	56	61	51	100	62.5	49.5	11.5	9	4*M12*1.25	HONDA
28WK19A	28	134	45	56	61	51	100/93.5	62.5	54.7	11.5	9.5	4*M12*1.25	HONDA
28BWK12	28		42			60.94	97	66	51.9		7.7	4*Q10.5	TOYOTA
DACF1091	30		50	66		58.3	90	68	44	10	10	4*M10.1*1.25	MITUBSH

BAF0013AD	30	116.5	37	58	59	52	98	70	44	16.8	10	4*M12*1.25	FIAT
BAF0013E	30	116.5	37	58	59	52	98	70	44	16.8	10	4*M12*1.5	FIAT
DACF1097	30		42			63	99	72	51.8		7.7	4*Q10.5	TOYOTA
30BWK10	30		42			63	99	72	51.8		7.7	4*Q10.5	TOYOTA
800179B	30	120	37	57	65	52	100	69.5	44.7	19	11.3	4*M12*1.5	VW
HUB042-32	30	148	48	65.9	67.95	52.1	114.3	72	49	15.5	15.5	4*M12*1.25	NISSAN
XTGB40490	30	117	37	58	59	52	98	67	45	10	10	4*M12*1.25	FIAT
BE00700	30	116.5	37	58	59	51.8	98	71.2	44.8	17	11	4*M12*1.5	FIAT
TGB40189S04	30	120	52	58	59	53	100		54.5	15.5	14.5	5*M14*1.5	FIAT
BAF-0095B	30	120	37	56.9	59	52	100	69.6	42.5	19	10.8	4*M12*1.5	
BAF4104E	30	120	37	57	64.9	52	100	69.5	44.5	19	10.5	4*M14*1.5	VW
800179D	30	120	37	57	65	52	100	69.5	44.7	19	11.3	5*M14*1.5	VW
DACF1041	30	122	47	54	65	48	100	65	56.2	13.3	8	-	VW
DACF1041JR	30	122	47	54	55	48	104/100	65	56.2	13.3	8	-	MAZDA
JD03	30	134	41	56	55	51	108	65	54.5	11.5	8	-	MAZDA
633872	30	130.7	43	65	61	59	114.3	66	50.4	12.6	13	4*M14*1.5	HONDA
HUB188-6	30	148	48	65.9	68	59	114.3		49	17.7	10.5		
HUB188-6ABS	30	148	48	65.9	67.95	59	114.3	67	49	17.7	10.5		NISSAN
HUB188-4ABS	30	148	48	65.9	67.95	59	114.3	67	49	17.7	10.5		NISSAN
30BWK06	30	148	48	65.9	67.95	52	114.3	67	49	15.5	12		NISSAN
HUB280	30	140	50	67	67.95	59	114.3	72	56.5	15.5	9		NISSAN
HUB280-1	30	140	50	67	90	59	114.3	68.9	56.5	15.5	9		-
DACF1085	30	140	50	67	90	58.9	114.3	68.9	56.5	15.5	10		-
U-100	30	139	55	56.5	90	48	114.3	69	62.2	20	11		MITSUBISH
DACF1086	30	140	50	67	57	58.9	114.3	68	56.5	15.5	10		DAWOO
BAF-4093B	30	140	50	67	90	58.9	114.3	69	56.5	15.5	10		-
DACF1086-2	30	140	50	67	90	58.9	114.3	69	56.5	15.5	10		-
TGB12933	30	133	46	60	90	54.2	108	-	54.8	19.5	12.5	5*M14*1.5	
TGB12933	30	133	46	60	90	54.2	/100	-	54.8	19.5	12.5	5*M14*1.5	
TGB12933S01	30	133	46	60	66	54.2	108	73.1	54.8	19.5	12.5	5*M14*1.5	RENAULT
TGB12933S01	30	133	46	60	66	54.2	/100	73.1	54.8	19.5	12.5	5*M14*1.5	RENAULT
HUB227-26	30	139	56	56	66	51	100	66	55.9	11.5	9.3		FIAT
HUB005-39	30	136	41	56	61	51	100	66	54.5	11.5	8		HONDA
HUB283-5	30	151.5	59	64	60.9	58	114.3	65.9	55.27	9.3	12.75		HONDA
HUB083-15	30	151.5	41	64		58	114.3	65.96	55.27	11.55	9.3		HONDA
HUB083-15ABS	30	151.5	41	64		58	114.3	65.96	55.27	11.55	9.3		HONDA
HUB181-22	30	151.5	59	64		58	114.3	65.96	55.27	9.3	12.75		HONDA
512179	30	151.8	59	64	-	58	114.3	65.96	55.4	12.5	10		HONDA
DACF1005C	31	120	40	57	66	50.5	100	72.6	42	19	12	4*M12*1.5	BMW
DACF1005CABS	31	120	40	57	66	50.5	100	72.6	42	19	12	4*M12.1*1.5	BMW
512107	31.76	139	52	63.2	64.3	58	108	74	55.5	16.5	11	5*M12*1.5	FORD
512149	31.76	139	52	63.2	64.3	58	108	74	55.5	16.5	11	5*M12*1.5	FORD
52710-2D115	32	139	45	67	76	57.6	114.3	74	50.5	14	9	4*M12*1.5	HYUNDAI
TGB12894	32	128	34	64.9	71	60	108		42	16	12.5	4*m12*1.25	PEUGEOT
TGB12894	32	128	34	64.9	71	60	108		42	16	12.5	4*m12*1.25	CITROEN
TKR8592YJ	32	128	34	64.9	71	60	108		42	16	12.5	4*M12*1.25	RENAULT
TGB12894S07	32	128	34	64.9	71	60	108		42	16	12.5	4*M12*1.25	PEUGEOT
TGB12894S07	32	128	34	64.9	71	60	108		42	16	12.5	4*M12*1.25	CITROEN
TGB40175S05	32	129	38	65	71	60	108		43.6	17	12	4*M12*1.5	PEUGEOT
TGB40175S05	32	129	38	65	71	60	108		43.6	17	12	4*M12*1.5	CITROEN
IR-8609	32	129	38	65	71	60	108		43.6	17	12	4*M12*1.5	PEUGEOT
IR-8609	32	129	38	65	71	60	108		43.6	17	12	4*M12*1.5	CITROEN
TGB40175S06	32	129	38	65	71	60	108		43.6	17	12	4*M12*1.5	PEUGEOT
TGB40175S06	32	129	38	65	71	60	108		43.6	17	12	4*M12*1.5	CITROEN
52710-2D000	32	139	45	67	76	57.6	114.3	74	50.5	14	9	4*M12*1.5	HYUNDAI
52710-2D100	32	139	42	67	76	57.6	114.3	74	50.5	14	9	4*M12*1.25	HYUNDAI
BAF0066C	32	128	38	65	71	60	108	78	42	17	11	4*M12*1.5	PEUGEOT
IR-8605	32	128	38	65	71	60	108	76	42	17	13	5*M12*1.25	
803755AA	32	131	46	68	57	51.8	108	74	48.5	20.5	11	5*M14*1.5	
BAF4048C	33	140	51	67	72	60	114.3	73	59	14.5	11	4*M12*1.5	NISSAN
BAF4074D	33	140	51	67	72	60	114.3		59	14.5	10	4*M12*1.5	VOLVO
HUB066-52	33	139.5	51	67	71.95	60	114.5	70.95	59	14.5	6	4*M12*1.5	MAZDA
HUB066-53	33	139.5	51	67	71.95	60	114.5	70.95	59	14.5	6	4*M12*1.5	MAZDA
DACF1034AR-2	33	140.1	47	67	90	58.67	114.35	71.12	64.74	13.92	9.2	4*M12*1.5	MITSUBISHI
HUC0540	34	140	37	61		52	100		49.5	18	12	4*M12*1.5	HONDA
HUB207	34	140	53	66	68	56	114.3	73	59	17.5	10.5	5*M12*1.5	
52710-34501	34	139	42	67	90	57.6	114.3	74	50.5	14	9	4*M12*1.5	HYUNDAI
HUB249	34	146.5	58	64	64	58	114.3	72.9	62	13	10.5	4*M12*1.5	HONDA
513115	34.5	139	51.5	70.5	71	58	114.3	80	47.7	18	10	5*1/2*20UNF	FORD
512024	35	136	42	63.2	63.5	56.4	108	74	52	18	10.5	4*M12*1.5	FORD
29040405	35	136	43	63.2	63.5	56.4	108	75	52	20.5	10.5	4*M12*1.5	
29040404	35	136	43	63.2	63.5	56.4	108	75	52	20.5	10.5	4*M12*1.5	
DACF1023D	35	137	45	65	68	53.3	108	75	49	20.5	12	4*M12*1.5	VOLVO
BAF0026	35	135.8	45	65	68	53.3	108	75	49.1	19.3	12	5*M12.1*1.5	
DACF1018L	35	137	45	65	70	57	110	76	49	25	12		OPEL
36BWK02	36	140	62	67	72	60	114	78	59	18.7	10	4*M12*1.5	MAZDA
DAF20023	37	151	52	70.5	71.6	64	114.3	78	52	21	10		FORD
5716681EA	37	139	45	72.5	79	66	120	79	45	19.3	12		BMW
DACF1033K	37	139	45	72.5	79	65.9	120	79	45	19	11		BMW
DACF1033K-1	37	139	45	72.5	79	65.9	120	79	45	19	11		BMW
DACF1033K-2	37	139	45	72.5	79		120		45	19	11		BMW
DACF1092	40		43	84			106		26.6	16.4	10		MITSSBSH
HUB081-44	43		44	79.9	82.8		102		26	16.5	14.5		HONDA
HUB030-22	43		56	83.8	84		110	81.1	45	11	15		NISSAN

29030409	45		51	87	100		120		29.5	21.5	13.5			
HUB132	45		49	83.8	85.8		105							HONDA
580494C	45		41	90			106	88	37.2	3.8	10.5			BMW
51KWH01	51		55	86.8	87		112		35.5	19.5	16			MITSUBSH
513017K	125.4	100	58.32	57.02	73.4	44.3	98.5							
513075	126	100	60.7	56.7	87	37.3	112							
BARB243823	130.5	108	68	65	81	37	103							
AD	130.5	108	68	65	81	37	103							
574566C	135.5	108	68	65	83.5	43	103							
513074	139	114.3	72.8	71.2	86.8	37.7	112							
513100	139	108	70.92	63.1	85.44	36.2	112							
513123	139.3	114.3	73.25	71.32	87	37.5	112							
513156	140.3	114.3	71.8	71.3	86	48	108							
513157	142.8	114.3	67	57	84	40.5								
513061	144.5	120.65	70.63	71.14	91.95	47.24	120.65							
513044	144.5	115	70.61	70.1	91.06	44.85	146.05							
513016K	146	115	70.63	70.15	89.95	41.78	116							
513089	146	114.3	73.3	71.4	91.3	42.1	116							
513158	153.5	114.3	72	71.4	100	48.3	120.65	-	5*1/2-20UNF	3*M12*1.75	27	Z	I	
513084	154	114.3	72	71.4	100	54	12.65	-	5*1/2-20UNF	3*M14*1.5	27	Z	I	
515007	160.6	114.3	73.2	71.34	88.9	53.6	120	-	5*1/2-20UNF	3*M14*1.5	27	Z	I	
515006	172.8	139.7	78.1	77.56	99.3	50.75	126.5	-	5*1/2-20UNF	3*Q14.7	27	Z	I	
515001	182	139.7	78.3	77.6	99.3	56.5	126		6*M14*1.5	3*M12*1.5	27	Z	I	
BAR0049A	119	100	56.5	60	85	39	104		4*M12*1.5	5*Q10.8	27	Z	I	
801344A	131	112	68	57		70.15	95		5*M14*1.5	4*M12*1.5	27	Z	I	
BAR-0088	137	112	65	57	85	48			5*M14*1.5	3*M12*1.75	27	Z	I	
515014	149.5	114.3	72	70.5	100	56	120.65		5*1/2-20UNF	3*Q13	27	Z	I	
515026	149.5	114.3	72	70.5	100	56	120.65		5*1/2-20UNF	4*M10*1.5	27	Z	I	
513011K	125.4	100	57.73	57.02	70.99	41.96	102		5*M12*1.5	4*M12*1.5	27	Z	I	
513122	126	100	56.8	60.8	87	37.5	112		5*M12*1.5	4*M12*1.5	27	Z	I	
512155	126.3	100	56.84	57.34	86	48	108		5*M12*1.5	4*M12*1.75	27	Z	I	
3DACF026-1	135	100	54.95	53.92	73.9	54.5			4*M10*1.25	4*M10*1.5	27	Z	I	
574566B	135.5	108	68	65	83.5	43	103		4*M12*1.75	3*M12*1.75	27	Z	I	
BAR-0051	133.5	112	58	57	67.9	53.8	86		3*M12*1.5	3*M12*1.75	27	Z	I	
9173872	135.6	108	67.9	65	87.5	59	112		5*M14*1.5	3*M12*1.75	27	Z	I	
274298	135.6	108	67.9	65	87.5	59	112		5*M14*1.5	3*M12*1.75	27	Z	I	
BAR0029C	136	100	57	56.5	60	78	84		4*M12*1.5	3*M12*1.75	27	Z	I	
DACF1091-5ABS	139	114.3	90	67	86	59	90		5*M12*1.5	3*M12*1.75	27	Z	I	
801106	139	120	79	74	90	51.1	106		5*M12*1.5	3*M12*1.75	27	Z	I	
96292254	139.5	114.3	60	56.5	91.2	37	114		4*M12*1.5	3*M12*1.75	27	Z	I	
96328247	139.2	114.3	60	56.5	86	63	86		4*M12*1.5	3*M12*1.75	27	Z	I	
512018	140	100	55	54		74.7	97		4*M12*1.5	3*M12*1.75	27	Z	I	
512156	140.3	114.3	71.8	71.3	86.08	48	108		5*M12*1.5	3*M12*1.75	27	Z	I	
MR455003	142.8	114.3	67	57	84	40.5			5*M12*1.5	3*M12*1.75	27	Z	I	
HUB231	148	114.3	68	66	84	69	107		5*M12*1.25	3*M12*1.75	27	Z	I	
30BWK16	151.8	114.3	62	60		75	99		5*M12*1.5	3*M12*1.75	27	Z	I	
513159	164	114.3	71.8	71.4	100	54	120.65		5*1/2-20UNF	3*M12*1.75	27	Z	I	
50KWH01	169	140	94	67	86	37.5			6*M12*1.5	3*M12*1.75	27	Z	I	