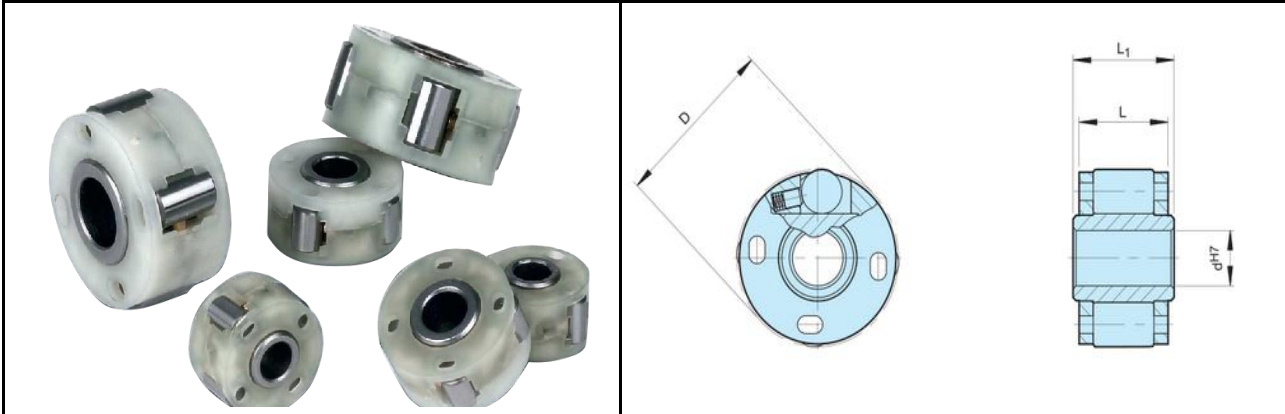


Features of one way freewheel roller clutch

1. Type KI is a roller type freewheel.
2. Mounting onto the shaft can be a press fit to r6 tolerance or a glue fit with a clearance of 0,02 to 0,05mm.
3. Temperature range: -40°C to +100°C
4. Sizes 8 mm and above can be supplied with a keyway.

Freewheel Clutch Bearings: KI Series



Motion(shanghai)Industrial Development Co.,Ltd

Type	Size			Overrunning speeds					Weight
		d^{H7} [mm]	$T_{KN}^{(1)}$ [Nm]	$n_{imax}^{(2)}$ [min-1]	$n_{amax}^{(3)}$ [min-1]	D^{H7} [mm]	L_1 [mm]	L [mm]	
KI	164	4	0.8	8000	10000	16	10	9	0.008
KI	165	5	0.8	8000	10000	16	10	9	0.007
KI	194	4	0.9	7000	9000	19	10	9	0.012
KI	195	5	0.9	7000	9000	19	10	9	0.011
KI	196	6	0.9	7000	9000	19	10	9	0.01
KI	268*	8	2.9	5000	6000	26	14	13	0.023
KI	269*	9	2.9	5000	6000	26	14	13	0.021
KI	2610*	10	2.9	5000	6000	26	14	13	0.019

www.motnbearing.com