

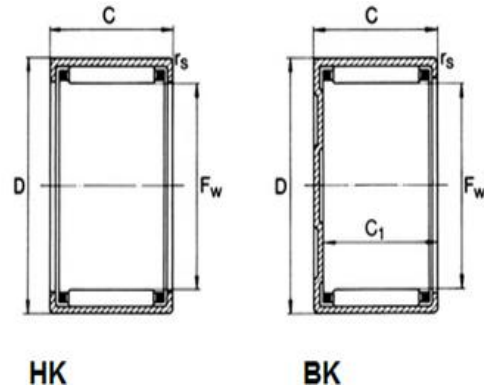
Needle roller bearings, relative to its diameter, roller both thin and long. This is called needle roller. Despite having a smaller cross-section, it has a higher load bearing capacity, equipped with a thin and long needle bearing roller, so the radial structure is compact, its diameter size and load capacity and other types of bearings, the outer diameter minimum, especially for radial mounting dimensions restricted support structure.

Needle roller bearings are single or double row units comprising machined outer rings with ribs, needle roller and cage assemblies and removable inner rings.

The bearings are available in open and sealed versions.

needle bearings have cylindrical roller, which are thin and long relatively to its diameter. Despite the smaller cross-section, the bearings still have a high load bearing capacity.

Drawn cup needle roller bearing



Motion(shanghai)Industrial Development Co.,Ltd

Shaft Diameter	Bearing Designation		Boundary Dimensions			Basic Load Ratings		Limiting Speed
	Current	Original Code	F _w	D	C	Dynamic	Static	Oil
						C	Co	
mm			mm			N		rpm
3	HK0306TN		3	6.5	6	1320	950	60000
3	BK0306TN		3	6.5	6	1320	950	60000
4	HK0408TN	37941/4	4	8	8	1540	1070	40000
4	BK0408TN	57941/4	4	8	8	1540	1070	40000
5	HK0509	47941/5	5	9	9	2200	1790	36000
5	BK0509	45941/5	5	9	9	2200	1790	36000
6	HK0608	37941/6	6	10	8	1830	1550	32000
6	HK0609	47941/6	6	10	9	2650	2400	3000
6	BK 0609	45941/6	6	10	9	2650	2400	3000
7	HK0708		7	11	8	2800	2150	27000
7	HK0709	47941/7	7	11	9	2800	2150	27000
7	BK0709	45941/7	7	11	9	2800	2150	27000
8	HK0808	37941/8	8	12	8	2550	2400	21000
8	BK0808	35941/8	8	12	8	2550	2400	21000
8	HK0810	57941/8	8	12	10	3700	3450	21000
8	BK0810	88941/8	8	12	10	3700	3450	21000
8	HK08X14X10	27942/8	8	14	10	3800	3950	25000
8	HK08X14X12	37942/8	8	14	12	4100	4320	25000
9	HK0910	57941/9	9	13	10	4050	4250	25000
9	BK0910	55941/9	9	13	10	4050	4250	25000
9	HK0912	67941/9	9	13	12	5000	6000	25000
9	BK0912	65941/9	9	13	12	5000	6000	25000
10	HK1010	57941/10	10	14	10	3900	4800	19000
10	BK1010	55941/10	10	14	10	3900	4800	19000
10	HK1012	67941/10	10	14	12	5000	6300	19000
10	BK1012	65941/10	10	14	12	5000	6300	19000

10	HK1015		10	14	15	6700	7800	19000
10	HK10X16X10		10	16	10	6800	8800	18000
10	HK10X16X12	DB1012	10	16	12	6800	8800	18000
10	HK10X16X15	Oct-42	10	16	15	6800	8800	19000
12	HK1210	57941/12	12	16	10	4150	5800	19000
12	BK1210	55941/12	12	16	10	4150	5800	19000
12	HK1212	67941/12	12	16	12	3800	5100	15000
12	BK1212	65941/12	12	16	12	3800	5100	15000
12	HK12X17X12	Dec-41	12	17	12	5100	7000	15000
12	HK12X17X15	Dec-42	12	17	15	5100	7000	15000
12	HK12X17X18	Dec-43	12	17	18	5100	7000	15000
12	HK12X18X12	37942/12	12	18	12	5500	6300	17000
12	BK12X18X12	35942/12K	12	18	12	5500	6300	17000
12	HK12X19X12		12	19	12	6800	7400	15000
13	HK1312		13	19	12	6200	7100	17000
13	BK1312		13	19	12	6200	7100	17000
13.5	HK13.5X20X12	7941/13.5	13.5	20	12	6250	7590	16000
14	HK1412	37941/14	14	20	12	6800	7500	16000
14	HK1416	57941/14	14	20	16	7300	9000	14000
15	HK15X20X12	7941/15	15	20	12	5800	6000	14000
15	HK15X20X16	7942/15	15	20	16	6000	6200	14000
15	HK15X20X20	7943/15	15	20	20	6100	6400	14000
15	HK1512	37941/15	15	21	12	7000	8400	14000
15	BK1512	35941/15	15	21	12	7000	8400	14000
15	HK1514	47941/15	15	21	14	8500	10400	13000
15	HK1515		15	21	15	9100	11400	13000
15	HK1516	57941/15	15	21	16	9800	11400	14000
15	BK1516	55941/15	15	21	16	9800	11400	14000
15	HK1522	SZ-439	15	21	22	10400	16500	14000
15	HK15X22X12	7948/15	15	22	12	14300	18400	13000
16	HK1612	37941/16	16	22	12	7100	9200	14000
16	BK1612	35941/16	16	22	12	7100	9200	14000
16	HK1614	47941/16	16	22	14	8800	9900	12000
16	HK1616	57941/16	16	22	16	10100	14300	14000
16	BK1616	55941/16	16	22	16	10100	14300	14000
16	HK1622	87941/16	16	22	22	11100	17400	14000
17	HK1712	37941/17	17	23	12	6900	9300	13000
17	BK1712	35941/17	17	23	12	6900	9300	136000
17	HK1714	7941/17	17	23	14	6800	10200	10000
17	HK1716	57941/17	17	23	16	8500	12500	10000
17	HK1718	7942/17	17	23	18	9500	10600	10000
17	HK17X25X14	37942/17K	17	25	14	13100	14700	10000
17	HK17X25X18	57942/17K	17	25	18	9500	10600	11000
18	HK1812	37941/18	18	24	12	7100	9900	12000
18	HK1816	57941/18	18	24	16	106500	15300	12000
18	BK1816	55941/18	18	24	16	10600	15300	12000
20	HK2010	27941/20	20	26	10	5900	7200	10000
20	HK2012	37941/20	20	26	12	7600	10100	10000
20	HK2014	47941/20	20	26	14	9700	18100	9000
20	HK2016	57941/20	20	26	16	11700	29100	10000
20	BK2016	55941/20	20	26	16	11700	29100	10000
20	HK2018	67941/20	20	26	18	7900	12800	9000
20	HK2020	7942/20	20	26	20	13700	24000	10000
20	HK2030		20	26	30	21800	40000	10100
20	HK20X27X20		20	27	20	26300	47800	9900
22	HK2210	27941/22	22	28	10	7200	9500	10010

22	HK2212	37941/22	22	28	12	8100	10400	10010
22	BK2212	35941/22	22	28	12	8100	10400	10010
22	HK2216	57941/22	22	28	16	11400	18100	10010
22	BK2216	55941/22	22	28	16	11400	18100	10010
22	HK2220	77941/22	22	28	20	14500	25000	10010
22	HK2230		22	28	30	17500	30400	9000
22	HK22X29X30		22	29	30	19400	33100	9000
25	HK2512	27941/25	25	32	12	10000	14200	9000
25	BK2512	25941/25	25	32	12	10000	14200	9000
25	HK2514	37941/25	25	32	14	13600	18700	9000
25	HK2516	7941/25	25	32	16	13600	20000	9000
25	BK2516	5941/25	25	32	16	13600	50000	9000
25	HK2520	67941/25	25	32	20	17900	30000	9000
25	BK2520	65941/25	25	32	20	17900	30000	9000
25	HK2526		25	32	26	22500	42000	9000
28	HK2816	47941/28	28	35	16	15400	22500	8700
28	BK2816	45941/28	28	35	16	15400	22500	8700
28	HK2820	67941/28	28	35	20	18900	32000	8700
30	HK3012	27941/30	30	37	12	10100	16200	8100
30	HK3016	47941/30	30	37	16	15200	27000	8100
30	BK3016	45941/30	30	37	16	15200	27000	8100
30	HK3020	67941/30	30	37	20	19700	33500	8100
30	HK3026		30	37	26	24000	50000	8100
30	HK3038		30	37	38	325000	74000	8100
30	BK3038		30	37	38	325000	74000	8100
30	HK30X38X16	7941/30	30	38	16	39000	82000	8100
30	HK30X38X24	7942/30	30	38	24	39910	88800	8100
30	HK30X38X32	7943/30	30	38	32	38890	88700	8100
32	HK3232	97941/32	32	39	32	22600	54300	7100
32	HK32X40X32	7943/32	32	39	32	27990	59890	7100
35	HK35X43X16	7941/35	35	42	16	24200	47100	7100
35	HK35X43X25	7942/35	35	43	25	24440	48200	6200
35	HK35X43X32	7943/35	35	43	32	24870	48880	6200
40	HK4012	27941/40	40	47	12	14000	24300	6300
40	BK4012	25941/40	40	47	12	14000	24300	6300
40	HK4016	47941/40	40	47	16	20000	38500	6300
40	HK4020	67941/40	40	47	20	25500	52000	6300
40	BK4020	65941/40	40	47	20	25500	52000	6300
45	HK4512	27941/45	45	52	12	12900	22500	5800
45	HK4516	47941/45	45	52	16	19300	3800	5800
45	HK4520	67941/45	45	52	20	22000	51000	5800
45	BK4520	65941/45	45	52	20	22000	51000	5800
50	HK5012	27941/50	50	58	12	23600	57200	5300
50	HK5020	57941/50	50	58	20	28000	60000	5300
50	BK5020	55941/50	50	58	20	28000	60000	5300
50	HK5025	7943/50	50	58	25	34500	80000	5300
55	HK5520	57941/55	55	63	20	29500	59900	4600
60	HK6012		60	68	12	12400	29000	4100
60	HK6020	57941/60	60	68	20	30500	72000	4100
60	BK6020	55941/60	60	68	20	30500	72000	4100
6.35	SCE44	BCE44	6.35	11.112	6.35	1602	1157	35000
6.35	SCE45	BCE45	6.35	11.112	7.94	2536	2092	35000
7.938	SCE55	BCE55	7.938	12.7	7.94	2892	2625	29000
9.525	SCE65	BCE65	9.525	14.288	7.94	2892	2417	25000

9.525	SCE67	BCE67	9.525	14.288	11.11	4361	4583	25000
12.7	SCE87	BCE87	12.7	17.462	11.11	5918	7387	19000
12.7	SCE88	BCE88	12.7	17.462	12.7	6897	9033	19000
12.7	SCE810	BCE810	12.7	17.462	15.88	8811	12237	19000
14.288	SCE95	BCE95	14.288	19.05	7.94	4049	4717	18000
14.288	SCE96	BCE96	14.288	19.05	9.52	5162	6408	18000
14.288	SCE98	BCE98	14.288	19.05	12.7	7698	10769	18000
14.288	SCE910	BCE910	14.288	19.05	15.88	9434	14017	18000
14.288	SCE912	BCE912	14.288	19.05	19.05	10724	16465	18000
15.875	SCE108	BCE108	15.875	20.638	12.7	8743	12015	16000
15.875	SCE1010	BCE1010	15.875	20.638	15.88	10368	16242	16000
15.875	SCE1012	BCE1012	15.875	20.638	19.05	12015	19802	16000
17.462	SCE116	BCE116	17.462	22.225	9.52	5740	7876	15000
19.05	SCE1210	BCE1210	19.05	25.4	15.88	12682	17577	13000
19.05	SCE1212	BCE1212	19.05	25.4	19.05	15352	22250	13000
20.638	SCE1312	BCE1312	20.638	26.988	19.05	16020	23585	12000
22.225	SCE148	BCE148	22.225	28.575	12.7	11125	15797	11000
22.225	SCE1412	BCE1412	22.225	28.575	19.05	16910	27145	11000
23.812	SCE1516	BCE1516	23.812	30.162	25.4	24030	43165	11000
25.4	SCE168	BCE168	25.4	31.75	12.7	12682	19135	10000
25.4	SCE1612	BCE1612	25.4	31.75	19.05	18022	30260	10000
25.4	SCE1616	BCE1616	25.4	31.75	25.4	24920	45390	10000
28.575	SCE188	BCE188	28.575	34.925	12.7	12905	20247	9000
28.575	SCE1812	BCE1812	28.575	34.925	19.05	18912	33375	9000
28.575	SCE1816	BCE1816	28.575	34.925	25.4	25810	49395	9000
31.75	SCE2012	BCE2012	31.75	38.1	19.05	21137	39605	8000
31.75	SCE2016	BCE2016	31.75	38.1	25.4	27145	54735	8000
34.925	SCE2212	BCE2212	34.925	41.275	19.05	21360	42720	7500
34.925	SCE2216	BCE2216	34.925	41.275	25.4	27590	59185	7500
38.1	SCE2416	BCE2416	38.1	47.625	25.4	38715	66305	6500
40.45	SCE2816	BCE2816	44.45	53.975	25.4	41385	75650	6000
50.8	SCE3220	BCE3220	50.8	60.325	31.75	55180	115700	5000
8	HK0810RS	-	8	12	10	2250	2100	19000
8	HK0812 2RS	-	8	12	12	2250	2100	19000
9	HK09X13X12RS	-	9	13	12	3800	4300	19000
10	HK1012RS	-	10	14	12	4100	5000	19000
10	HK1014 2RS	-	10	14	14	4100	5000	15000
12	HK1214RS	-	12	18	14	6100	7000	15000
12	HK1216 2RS	-	12	18	16	6100	7000	12000
14	HK1414RS	-	14	20	14	6100	7500	13000
14	HK1416 2RS	-	14	20	16	6100	7500	11000
15	HK1514RS	-	15	21	14	6800	8800	11000
15	HK1516 2RS	-	15	21	16	6800	8800	10000
15	HK1518RS	-	15	21	18	9500	11400	10000
15	HK1520 2RS	-	15	21	20	9500	11400	10000
16	HK1614RS	-	16	22	14	7200	9200	10000
16	HK1616 2RS	-	16	22	16	7200	9200	10000
16	BK1614RS	-	16	22	14	7200	9200	10000
16	HK1620 2RS	-	16	22	20	9900	12300	10000
17	HK17X25X14RS	-	17	25	14	8000	9800	10000
17	HK17X25X15.5R	-	17	25	15.5	9320	10400	13000
17	HK17X25X18RS	-	17	25	18	10500	12600	13000
17	HK17X25X20RS	-	17	25	20	11600	13200	13000
18	HK1816 2RS	-	18	24	16	7800	9900	9200
20	HK2016 2RS	-	20	26	16	8000	10100	9000
20	HK2018RS	-	20	26	18	12700	20100	8200

20	HK2020 2RS	-	20	26	20	12700	20100	7800
20	BK20X27X18RS	-	20	27	18	12700	20100	7800
20	HK20X29X18RS	-	20	29	18	8700	9980	7800
22	HK2216 2RS	-	22	28	16	9000	12400	7800
22	HK2220 2RS	-	22	28	20	10400	20100	7800
25	HK2518RS	-	25	32	18	13600	20000	6900
25	HK2520 2RS	-	25	32	20	13600	20000	6900
25	BK2518RS	-	25	32	18	13600	20000	6900
30	HK3018RS	-	30	37	18	16200	26000	5300
30	HK3020 2RS	-	30	37	20	16200	26000	5300
35	HK3520 2RS	-	35	42	20	16700	30500	4900
45	HK4520 2RS	-	45	52	20	20300	41000	3800
3.175	F3.175X6.35X6.	B-24	3.175	6.35	6.35	3200	5900	19000
4.762	F4.762X8.731X6	B-34	4.762	8.731	6.35	3400	6000	19000
6.35	F6.35X11.11X11	B-47	6.35	11.11	11.13	3500	6050	12000
6.35	MF6.35X11.11X	M-471	6.35	11.11	11.13	3500	6050	12000
8	F-0810	50941/8	8	12	10	4050	7150	13000
8	FH-0810	941/8	8	14	10	5200	7150	7400
8	FH-0812	942/8	8	14	12	4550	7150	7400
9	FH0910	50941/9	9	13	10	4900	8050	12000
9	FH0910	941/9	9	15	10	8000	11500	7100
9	FH9X15X13	942/9	9	15	13	8560	12800	7100
9.52	F9.52X14.29X12	B-68	9.52	14.29	12.7	9000	13300	7100
10	F-1010	50941/10	10	14	10	5700	9350	11000
10	FH-1010	941/10	10	16	10	6350	10800	11000
10	F10X16X15	942/10	10	16	15	6890	11500	7100
10		943/10	10	16	17	6500	11000	7000
12	F-1212	60941/12	12	16	12	6380	10900	7100
12	F12X17X12	941/12	12	17	12	8400	11900	7100
12	F12X17X15	942/12	12	17	15	9000	12500	7100
12	F12X17X18	943/12	12	17	18	9800	13500	7100
15	F15X20X12	941/15	15	20	12	8400	11900	7100
15	F15X20X16	942/15	15	20	16	9500	12800	7100
15	F15X20X20	943/15	15	20	20	10500	16000	7100
15	FY15X20X20	Y152020	15	20	20	10500	16000	7100
15	F-1512	30941/15	15	21	12	9700	15900	8100
16	F-1616	50941/16	16	22	16	14100	25900	7700