

Needle roller bearings, relative to its diameter, roller both thin and long. This is called needle roller. Despite having a smaller cross-section, it has a higher load bearing capacity, equipped with a thin and long needle bearing roller, so the radial structure is compact, its diameter size and load capacity and other types of bearings, the outer diameter minimum, especially for radial mounting dimensions restricted support structure.

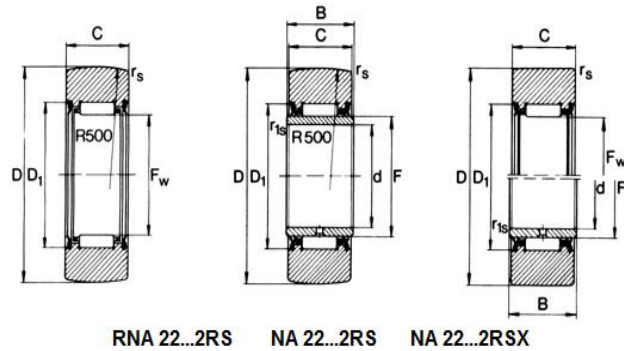
Needle roller bearings are single or double row units comprising machined outer rings with ribs, needle roller and cage assemblies and removable inner rings.

The bearings are available in open and sealed versions.

needle bearings have cylindrical roller, which are thin and long relatively to its diameter

Despite the smaller cross-section, the bearings still have a high load bearing capacity.

Yoke type track roller bearing:NA Series



Motion(shanghai)Industrial Development Co.,Ltd

Outer Diameter r mm	Bearing Designation		Boundary Dimensions mm							Basic Load Ratings				Limit in Speed n1gre min-
										As yoke type		C	Co	
	Without Inner Ring	With Inner Ring	D	d	F 1) Fw	B	C	E	r1s	N				
	m m					min	N							
19	RNA 22/6 2RS	NA 22/6 2RS	19	6	10	12	11.8	0.3	0.3	5300	4650	3900	3700	18000
19	RNA 22/6 2RS X	NA 22/6 2RS X	19	6	10	12	11.8	0.3	0.3	5300	4650	3900	3700	18000
24	RNA 22/8 2RS	NA 22/8 2RS	24	8	12	12	11.8	0.3	0.3	5700	5400	4800	4800	14000
24	RNA 22/8 2RS X	NA 22/8 2RS	24	8	12	12	11.8	0.3	0.3	5700	5400	4800	4800	14000
30	RNA 2200 2RS	NA 2200 2RS	30	10	14	14	13.8	0.6	0.3	7800	8300	7000	8000	11000
30	RNA 2200 2RS X	NA 2200 2RS X	30	10	14	14	13.8	0.6	0.3	7800	8300	7000	8000	11000
32	RNA 2201 2RS	NA 2201 2RS	32	12	16	14	13.8	0.6	0.3	8700	9900	7500	9000	9500
32	RNA 2201 2RS X	NA 2201 2RS X	32	12	16	14	13.8	0.6	0.3	8700	9900	7500	9000	9500
35	RNA 2202 2RS	NA 2202 2RS	35	15	20	14	13.8	0.6	0.3	9800	12300	7600	9600	7000
35	RNA 2202 2RS X	NA 2202 2RS X	35	15	20	14	13.8	0.6	0.3	9800	12300	7600	9600	7000
40	RNA 2203 2RS	NA 2203 2RS	40	17	22	16	15.8	1	0.3	12200	16700	9900	13800	6000
40	RNA 2203 2RS X	NA 2203 2RS X	40	17	22	16	15.8	1	0.3	12200	16700	9900	13800	6000
47	RNA 2204 2RS	NA 2204 2RS	47	20	25	18	17.8	1	0.3	18900	22300	15200	18300	4600
47	RNA 2204 2RS X	NA 2204 2RS X	47	20	25	18	17.8	1	0.3	18900	22300	15200	18300	4600
52	RNA 2205 2RS	NA 2205 2RS	52	25	30	18	17.8	1	0.3	21100	27000	15700	20000	3500
52	RNA 2205 2RS X	NA 2205 2RS X	52	25	30	18	17.8	1	0.3	21100	27000	15700	20000	3500
62	RNA 2206 2RS	NA 2206 2RS	62	30	35	20	19.8	1	0.3	23300	32000	18300	25500	2800
62	RNA 2206 2RS X	NA 2206 2RS X	62	30	35	20	19.8	1	0.3	23300	32000	18300	25500	2800
72	RNA 2207 2RS	NA 2207 2RS	72	35	42	23	22.7	1.1	0.6	30000	46500	23000	35500	2200

72	RNA 2207 2RS X	NA 2207 2RS X	72	35	42	23	22.7	1.1	0.6	30000	46500	23000	35500	2200
80	RNA 2208 2RS	NA 2208 2RS	80	40	48	23	22.7	1.1	0.6	38500	58000	27500	40500	1700
80	RNA 2208 2RS X	NA 2208 2RS X	80	40	48	23	22.7	1.1	0.6	38500	58000	27500	40500	1700
85	RNA 2209 2RS	NA 2209 2RS	85	45	52	23	22.7	1.1	0.6	40500	64000	28500	43000	1600
85	RNA 2209 2RS X	NA 2209 2RS X	85	45	52	23	22.7	1.1	0.6	40500	64000	28500	43000	1600
90	RNA 2210 2RS	NA 2210 2RS	90	50	58	23	22.7	1.1	0.6	42500	70000	28000	42500	1300
90	RNA 2210 2RS X	NA 2210 2RS X	90	50	58	23	22.7	1.1	0.6	42500	70000	28000	42500	1300

www.motnbearing.com